

Flowrox PVG Valve



Features

- 100% isolation
- Full bore
- Only rubber sleeve in contact with the medium
- Long lifetime
- Opening tags in the sleeve
- Face-to-face according to industry standard (EN558 ser 7)

Process benefits

- No jamming or clogging
- Trouble-free operation
- Long service intervals
- Long lifetime
- Reduced cost of ownership

Flowrox PVG is a robust pinch valve with strong metal body, simple closing mechanism and opening tags in the sleeve as a standard. It is made for processes involving abrasion, corrosion and aggressive slurries. Through its reliability and structure PVG offers substantial savings based on improved performance, long service lifetime and low total cost of ownership.

COST EFFECTIVE SOLUTION

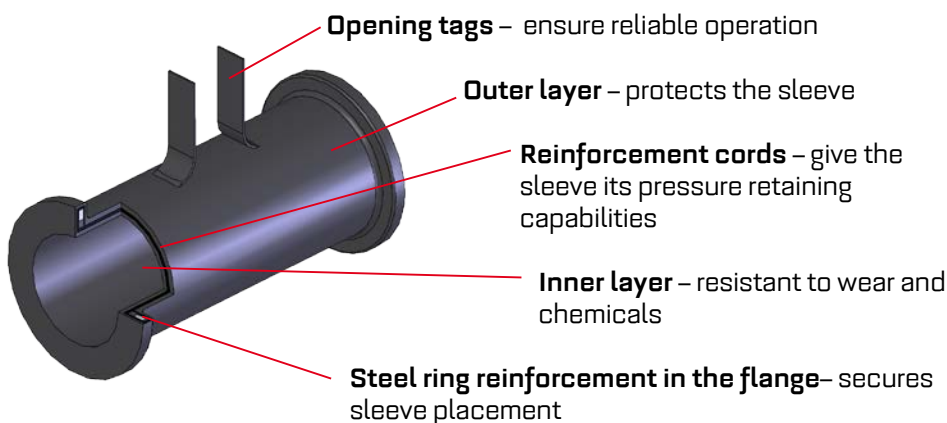
In the open position, the PVG valve is at full bore with no flow restrictions. Therefore it is an integral part of the pipeline and anything running through the pipeline can also pass through the valve.

PVG is designed to be reliable and compact solution for seal tight shut-off. Being a full port design the valves require the least pumping energy and do not reduce system head pressure. Installation is trouble free and valve includes pre-installed rubber sleeves with opening tags, which withstand tough process conditions. This ensures long valve lifetime and minimal maintenance costs.

All these features add up to lowest total cost of ownership (TCO).

CORE OF THE VALVE

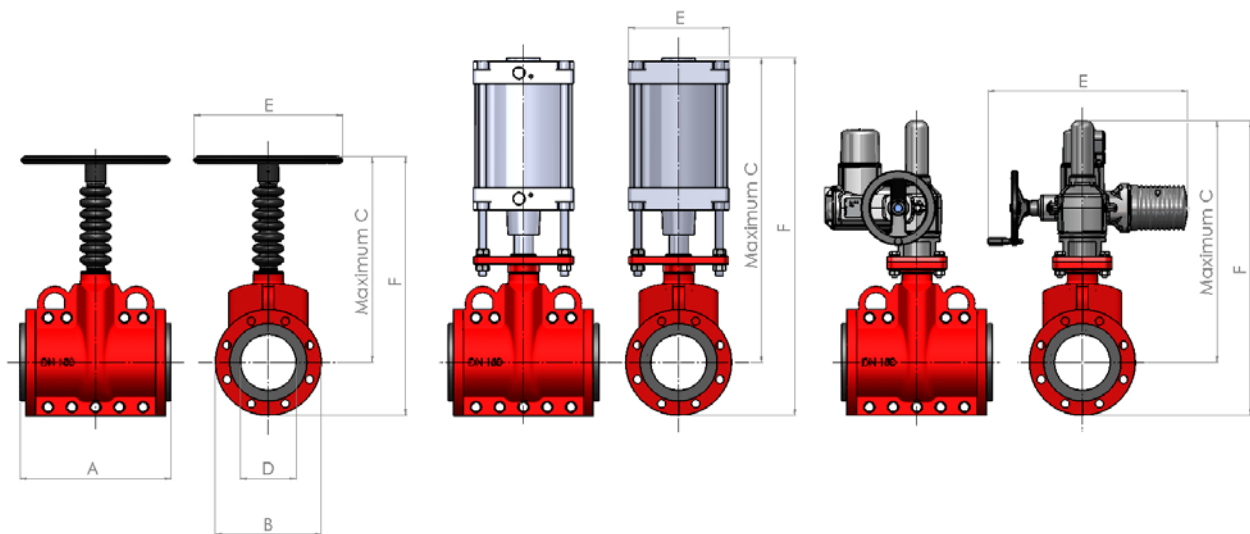
The core of the PVG valve is its elastic sleeve, which is the only part in contact with the medium. Designed to withstand wear, corrosion and chemicals, Flowrox sleeves guarantee non-clogging, trouble free operation and extended lifetime. The sleeves are bubble tight and easily replicable if necessary.



PRODUCT SPECIFICATION

Type	Size (DN)	Actuator	Pressure class (PN)	Flange drilling	Body material	Sleeve material	Auxiliaries
PVG	50 80 100 150 200 250	M = handwheel A = pneumatic E = electric	Manual/Electric: 10=bar (DN 50-150) 6 = 6 bar (DN200-250) Pneumatic: 6=6 bar (DN 50-150) 4=4 bar (DN200-250)	2 = DIN PN10 6 = ANSI 150	Ø = Cast iron	SBRT = Styrene Butadiene rubber +110°C max EPDM = ethylene propylene +120°C max	S= magnetic limit switches Z1 = solenoid valve, 24V DC Z2 = solenoid valve, 230V, 50/60 Hz Z3 = solenoid valve, 110V, 50/60 Hz

Type marking example: PVG150M10-20-SBRT



DIMENSIONS AND WEIGHTS

Valve size (DN)	A		B			C			D			E			F			Weight (kg)			Max Pressure (Bar)	
	M	A	M	A	E	M	A	E	M	A	E	M	A	E	M	A	E	M/E	A			
50	190	165	280	398	481	50	150	110	513	363	481	563	14	18	45	10	6					
80	254	200	344	482	512	80	200	135	513	444	582	612	21	30	53	10	6					
100	305	228	394	568	533	100	250	176	513	508	682	647	30	43	58	10	6					
150	406	285	553	774	616	150	400	270	513	696	917	758	49	60	67	10	6					
200	521	343	645	871	668	200	600	270	536	817	1043	837	96	141	110	6	4					
250	635	406	785	1412	782	250	600	270	582	988	1615	985	140	215	174	6	4					

Dimensions and weights are indicative only – detailed dimensions drawings available on request.
All dimensions are in millimeters, unless stated otherwise.

FLOWROX OY

P.O. Box 338, FI-53101 Lappeenranta, Finland
Tel. +358 201 113 311, Fax +358 201 113 300
info@flowrox.com, www.flowrox.com

