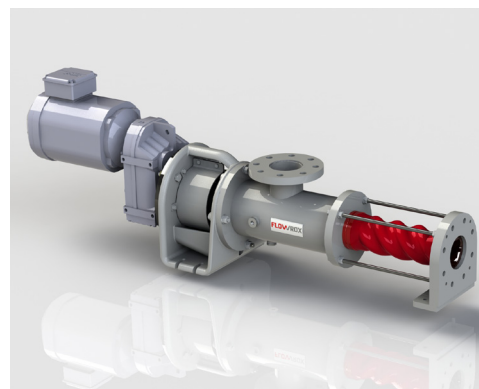
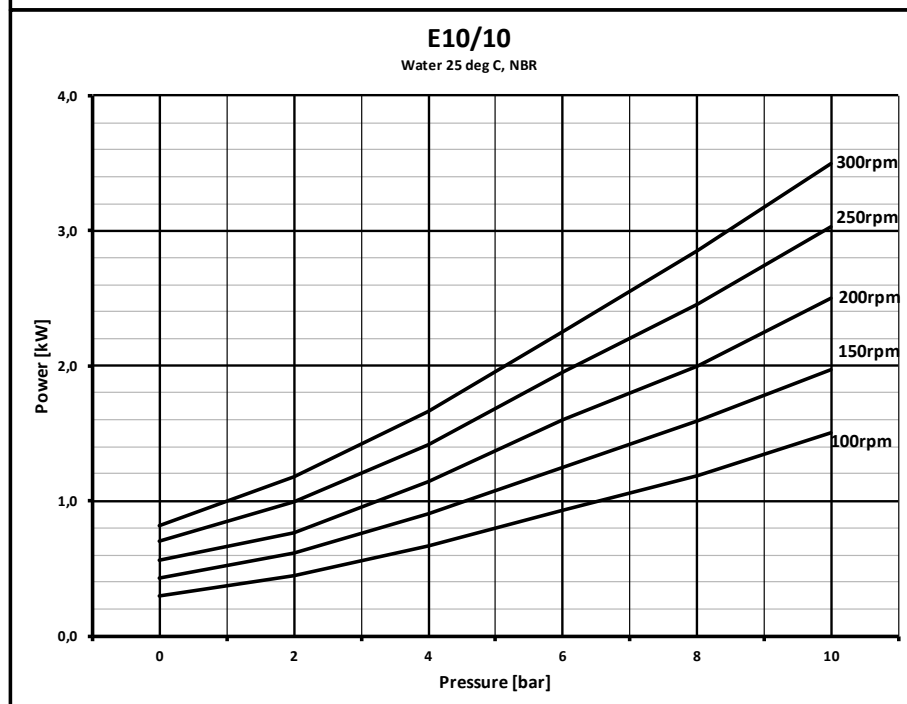
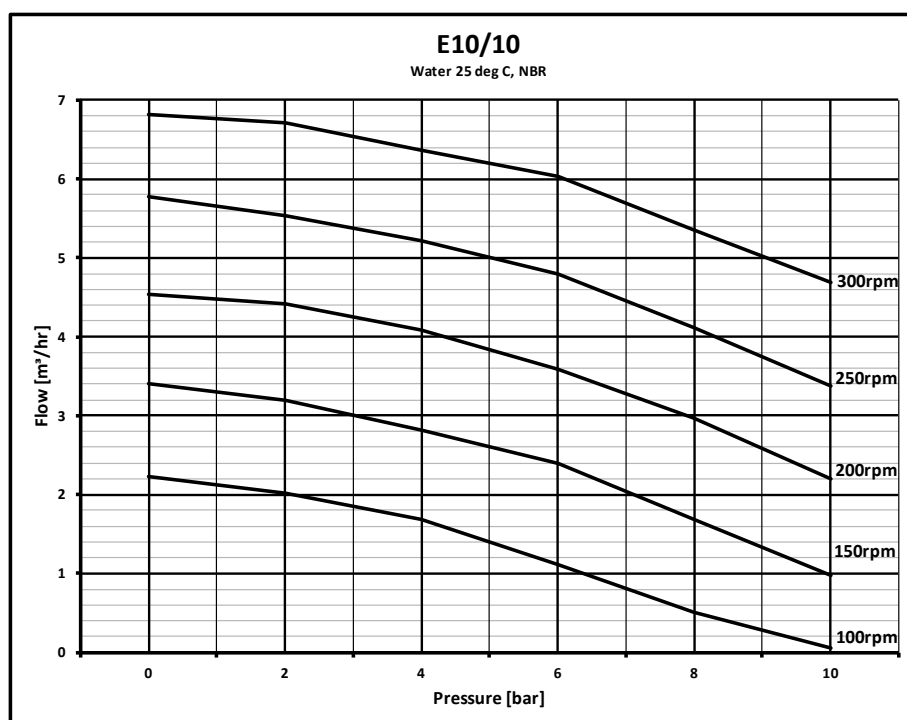




## PC Pump E10/10



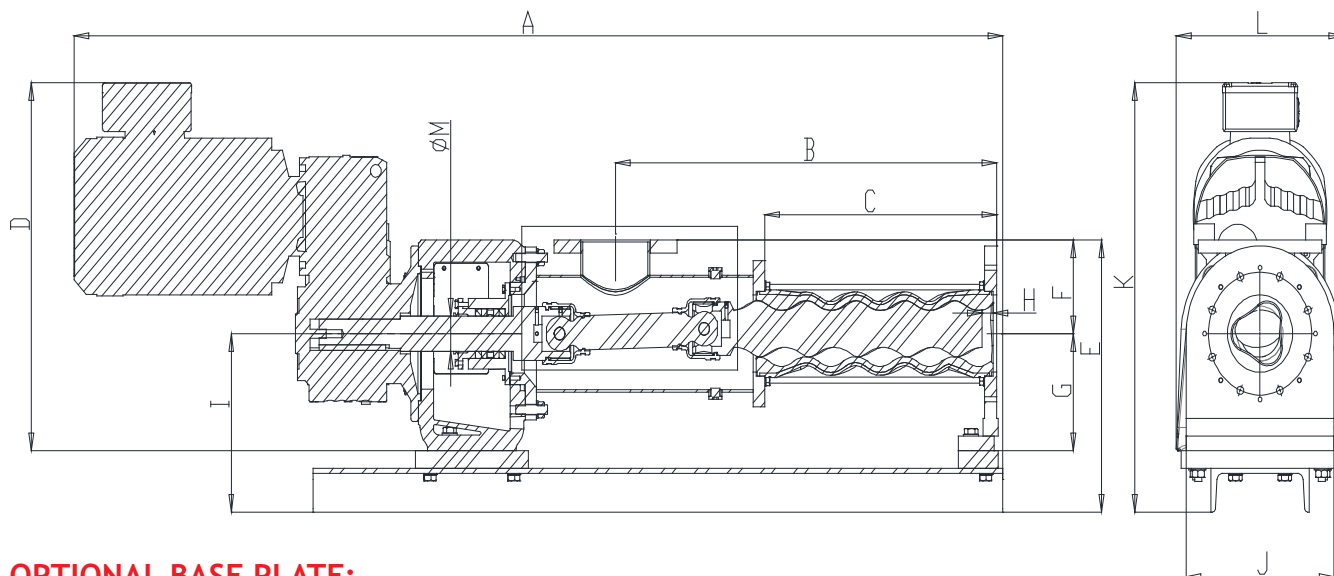
### TECHNICAL DATA

- Evenwall® stator
- Maximum flow: 6,8 m<sup>3</sup>/h
- Nominal flow: 5,1 m<sup>3</sup>/h
- Maximum pressure: 10 bar
- Temperature up to 70 °C
- Weight: 180 kg
- Max motor power: 3 kW
- Flange connection size: DN80
- Flange drilling: DIN PN10 or ANSI150
- Can be installed without base plate
- No dry running
- NPSH tba

## MAIN DIMENSIONS

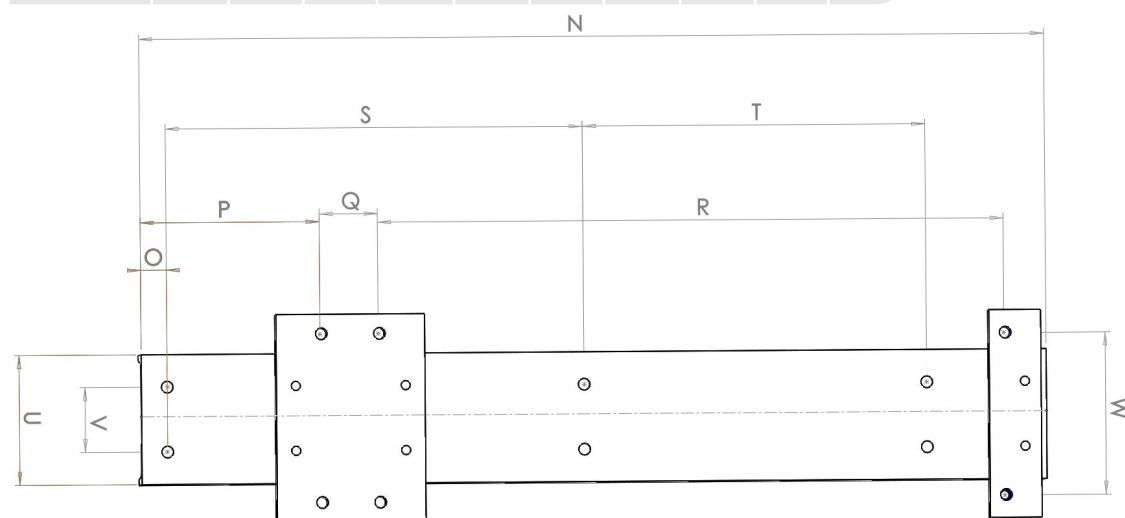
Model	A	B	C	D	E	F	G	H	I	J	K	L	M	Weight (kg)
E10/10	1358	519	315	440	380	140	125	20	240	200	525	290	40	178

Dimensions are in mm.



### OPTIONAL BASE PLATE:

Model	N	O	P	Q	R	S	T	U	V	W
E10/10	1060	50	260	60	675	440	440	160	80	150



## PRODUCT SPECIFICATION

Body	Suction Pipe	Rotor	Rotor coatings	Stator	Drive	Seal types
Cast iron	<ul style="list-style-type: none"> <li>Carbon steel</li> <li>Carbon steel with maintenance hatch</li> <li>Stainless steel with maintenance hatch</li> </ul>	<ul style="list-style-type: none"> <li>Carbon steel</li> <li>Stainless steel</li> </ul>	<ul style="list-style-type: none"> <li>Black nitrated</li> <li>Hard chromium</li> <li>Tungsten carbide</li> </ul>	<ul style="list-style-type: none"> <li>NBR</li> <li>EPDM</li> <li>Viton</li> </ul>	Gear motor drive	<ul style="list-style-type: none"> <li>Single Mechanical Shaft Seal</li> <li>Double Mechanical Shaft Seal</li> <li>Gland Packing</li> </ul>

Information without engagement. All rights to changes without prior notice reserved.



Flowrox Oy  
P.O. Box 338, FI-53101 Lappeenranta  
Finland  
Tel. +358 201 113 311

www.flowrox.com  
info@flowrox.com

