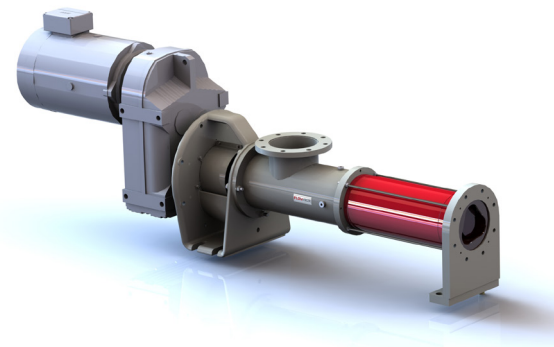
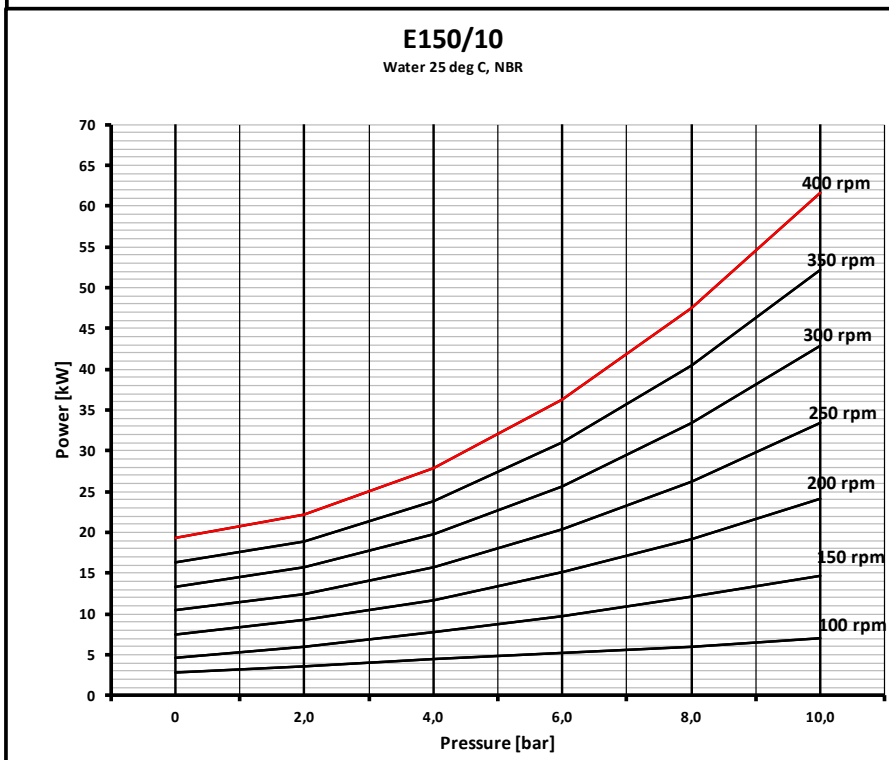
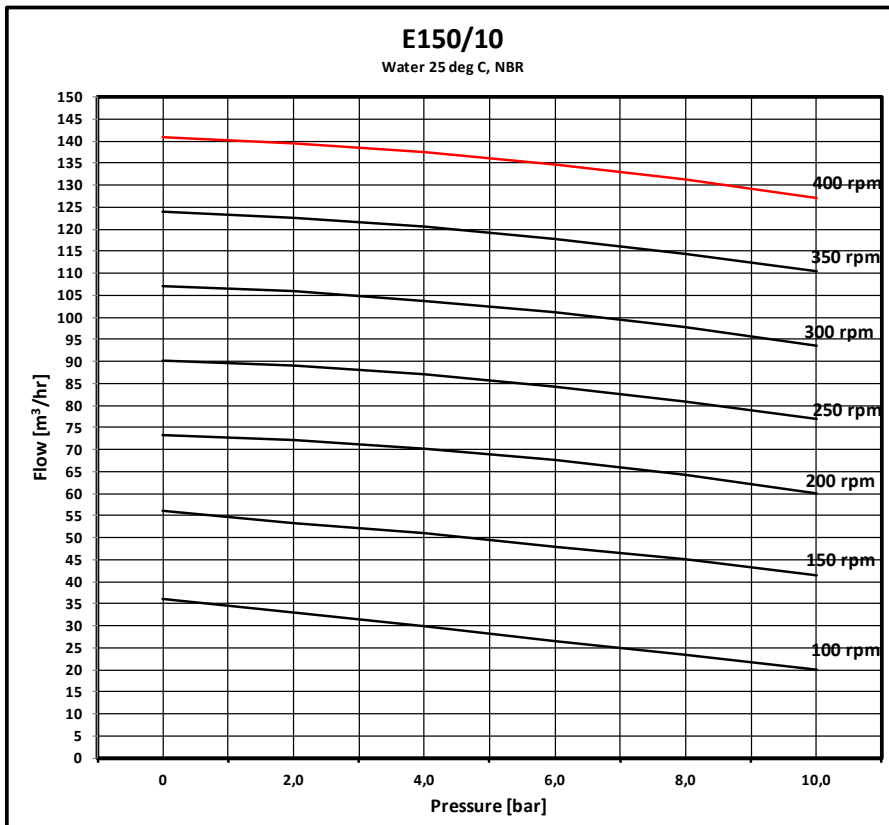




PC Pump E150/10



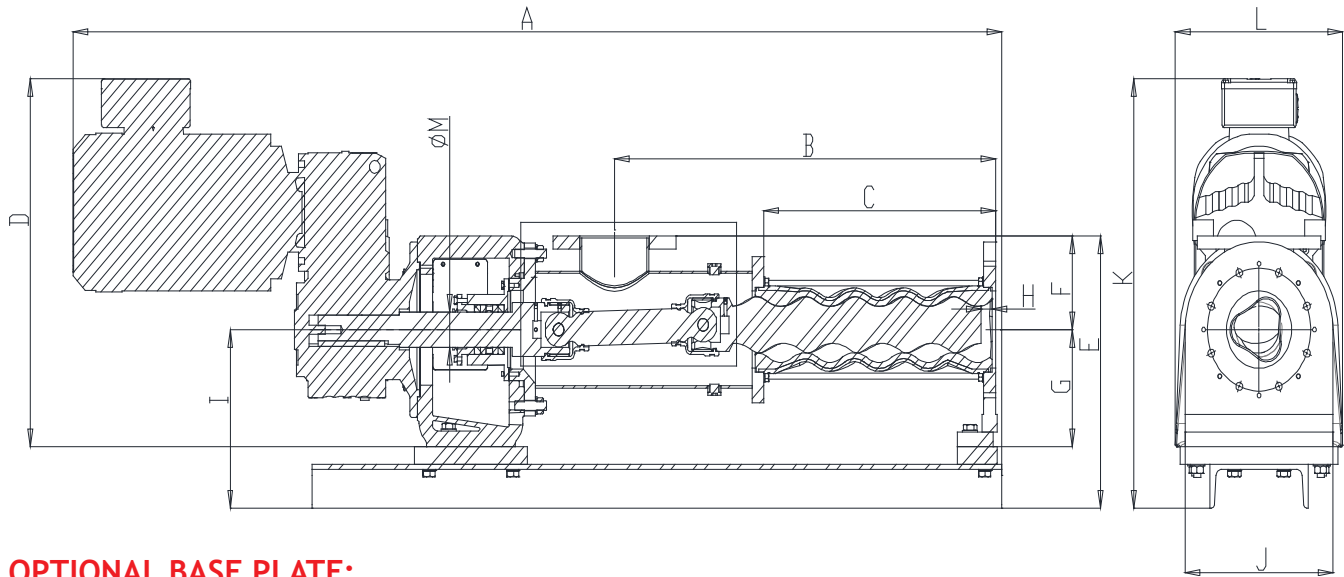
TECHNICAL DATA

- Evenwall® stator, round cover
- Maximum flow: 141,1 m³/h
- Nominal flow: 112,7 m³/h
- Maximum pressure: 10 bar
- Temperature up to 70 °C
- Weight: 1360 kg
- Max motor power: 75 kW
- Flange connection size: DN200
- Flange drilling: DIN PN10 or ANSI150
- Can be installed without base plate
- No dry running
- NPSH tba

MAIN DIMENSIONS

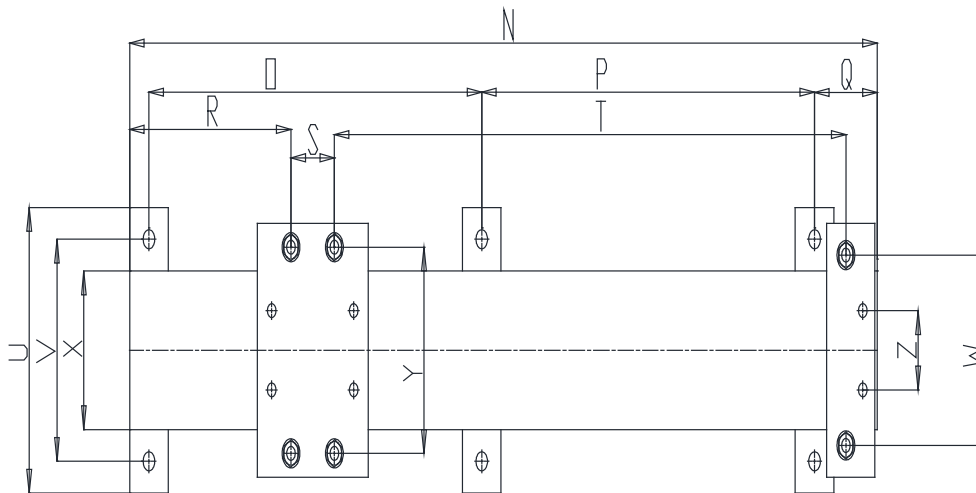
| Model | A | B | C | D | E | F | G | H | I | J | K | L | M | Weight (kg) |
|---------|------|-----|-----|------|-----|-----|-----|----|-----|-----|------|-----|----|-------------|
| E150/10 | 2683 | 994 | 616 | 1095 | 667 | 207 | 315 | 30 | 460 | 350 | 1240 | 555 | 90 | 1360 |

Dimensions are in mm.



OPTIONAL BASE PLATE:

| Model | N | O | P | Q | R | S | T | U | V | W | X | Y | Z |
|---------|------|-----|-----|-----|-----|-----|------|-----|-----|-----|-----|-----|-----|
| E150/10 | 1850 | 810 | 810 | 170 | 444 | 120 | 1207 | 500 | 400 | 290 | 280 | 300 | 120 |



PRODUCT SPECIFICATION

| Body | Suction Pipe | Rotor | Rotor coatings | Stator | Drive | Seal types |
|-----------|---|---|---|--|------------------|---|
| Cast iron | <ul style="list-style-type: none"> Carbon steel Carbon steel with maintenance hatch Stainless steel with maintenance hatch | <ul style="list-style-type: none"> Carbon steel Stainless steel | <ul style="list-style-type: none"> Black nitrated Hard chromium Tungsten carbide | <ul style="list-style-type: none"> NBR EPDM Viton | Gear motor drive | <ul style="list-style-type: none"> Single Mechanical Shaft Seal Double Mechanical Shaft Seal Gland Packing |

Information without engagement. All rights to changes without prior notice reserved.



Flowrox Oy
P.O. Box 338, FI-53101 Lappeenranta
Finland
Tel. +358 201 113 311

www.flowrox.com
info@flowrox.com

