

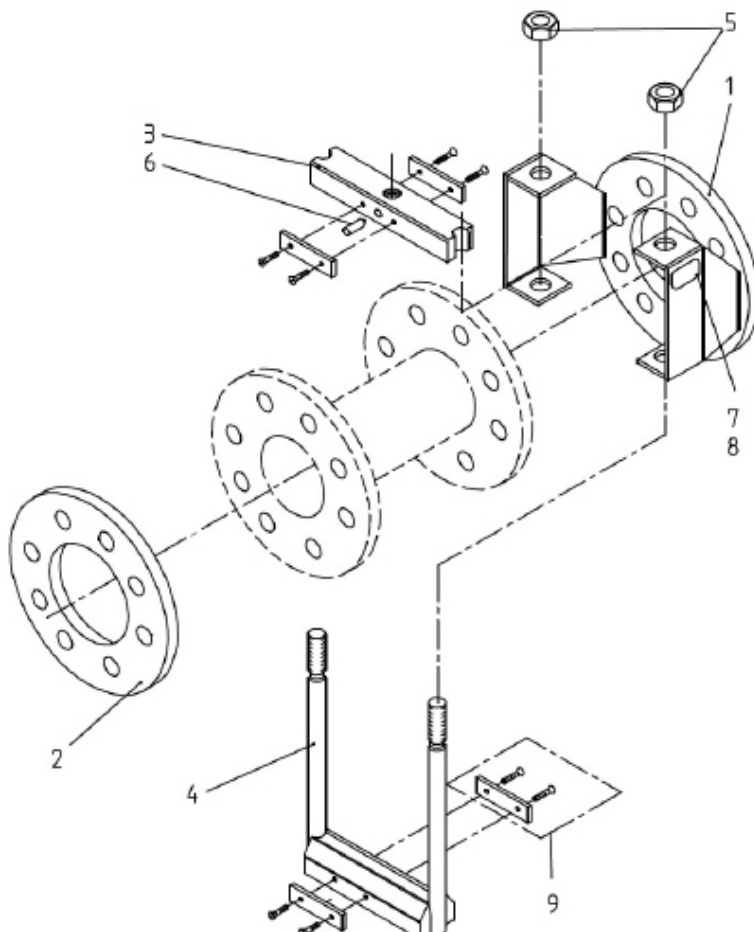


## PV Open Body Valves

For Demanding Duties

EXPLODED VIEW OF PV VALVE

Part	Description	Part	Description
1	Valve body	6	Locking screw
2	Flange	7	Valve plate
3	Upper pinch bar	8	Drive rivet
4	Lower pinch bar	9	Fix parts for opening tags
5	Hex. nut		



### TECHNICAL DATA

- For non-hazardous mediums
- Body materials: Fe & AISI316
- Sizes beginning from 80 mm
- Pressure class up to 25 bar

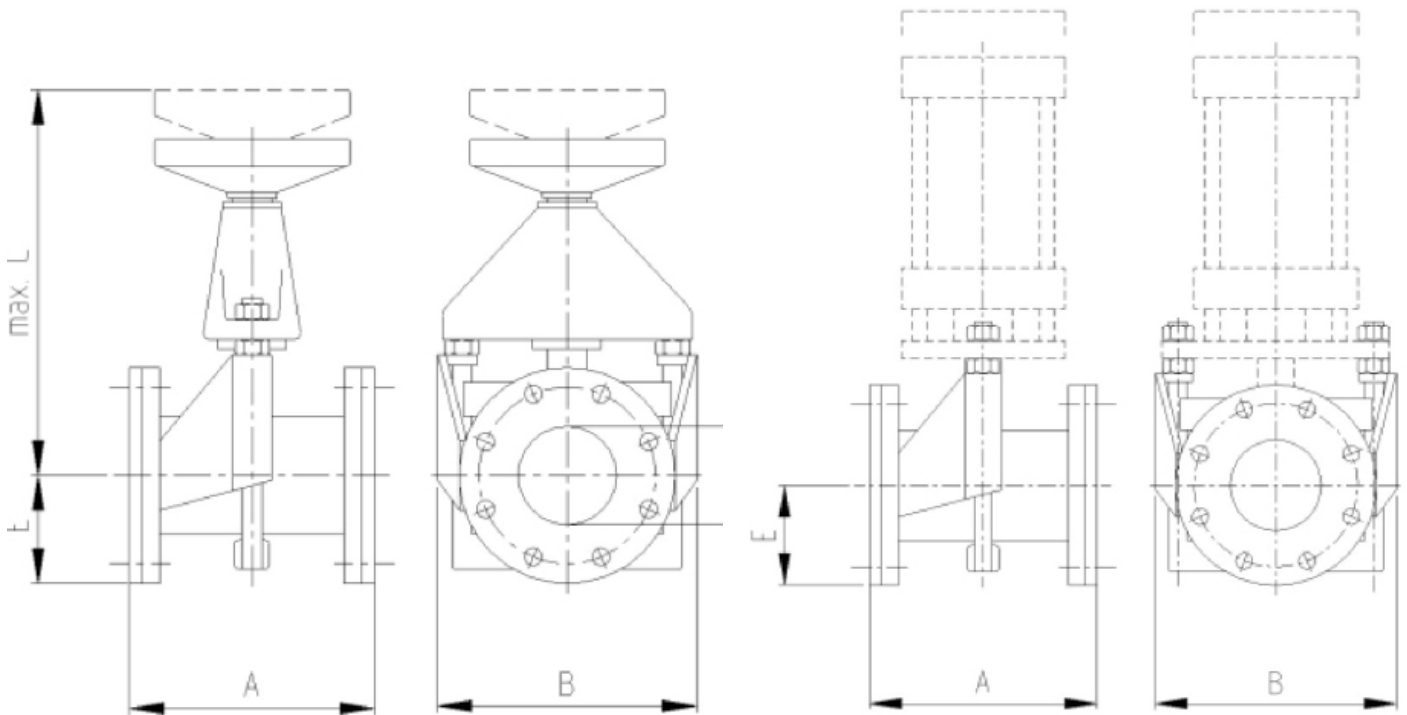




# MAIN DIMENSIONS OF PV OPEN BODY VALVES

## MANUAL

## AUTOMATIC



Valve size (PVE) M&A	PN (bar)	A	B	C	E	Weight Manual Valves (kg)	Weight Automatic valves (kg)
80	1-25	200	235	370	100	22	14
100	1-25	250	265	410	110	29	16
125	1-25	310	325	465	135	46	23
150	1-16	375	381	560	143	67	36
200	1-16	500	461	690	170	88	47
250	1-10	625	545	865	210	137	85
300	1-6	750	704	1020	250	167	100

*Bigger sizes and higher pressures on request.*



Flowrox Oy  
 P.O. Box 338, FI-53101 Lappeenranta  
 Finland  
 Tel. +358 201 113 311

[www.flowrox.com](http://www.flowrox.com)  
[info@flowrox.com](mailto:info@flowrox.com)

