



## FXM2-S Metering Pump



### Technical Data

Weight/Shipping weight	28.6 lb / 30.8 lb
Maximum flow	46.5 GPH
Maximum working pressure	125 psi
Maximum suction lift	30 ft. water, 1.5 psi (Abs)
Maximum viscosity	12 000 centipoise
Motor installed power	0.25 hp
Remote adjustment	4-20 mA, 0-10 VDC or pulse
Inputs	2 remote inputs, 1 assignable input
Feedbacks	4-20 mA, pulse and 4 alarm contacts
Voltage (max amp)	Automatic identification: 96-264 VAC 50/60 Hz (2 amp)
Min. & max. ambient temp.	14° to 131° F
Accuracy	± 0.5 %
Repeatability	± 0.5 %
Maximum fluid temperature	115° F
Output speed control range	1-100 % in 0.1 % increment 0.02-1 % in 0.01 % increment. 5000:1 turndown.
Enclosure	NEMA 4X / IP66
Plug type	125V AC, NEMA 5/15 (US)
	230V AC, NEMA 6/15 (US)
	230V AC, CEE7/VII (Europe)
	230V, BS 1363 (UK)
	230V AC, AS/NZS3112 (AUS)

### Features

- Only the tube is in contact with the process medium
- Self-priming (up to 90 % of full vacuum)
- Fully reversible operation
- Dry run capability
- Accurate metering throughout the whole operating range
- Remote start/stop
- Basic logic control
- Serviceable rotor construction for ease of maintenance
- Automatic identification of supply voltage
- Field switchable power cord - no need to open pump housing
- Available with flow verification switch
- Digital touchpad adjustment - precise and reliable
- 3,5" backlit high resolution display
- Display languages: English, German, Spanish, French, Finnish
- Security: programmable 4-digit password

### Materials of Construction

#### Primary pump wetted components:

Pump tube elements	Norprene® (for chemicals) or Tygothane® (for oils and fats) or Tygon lined Norprene® (acids). Adapter fittings: PVDF
--------------------	---

#### Accessories wetted components:

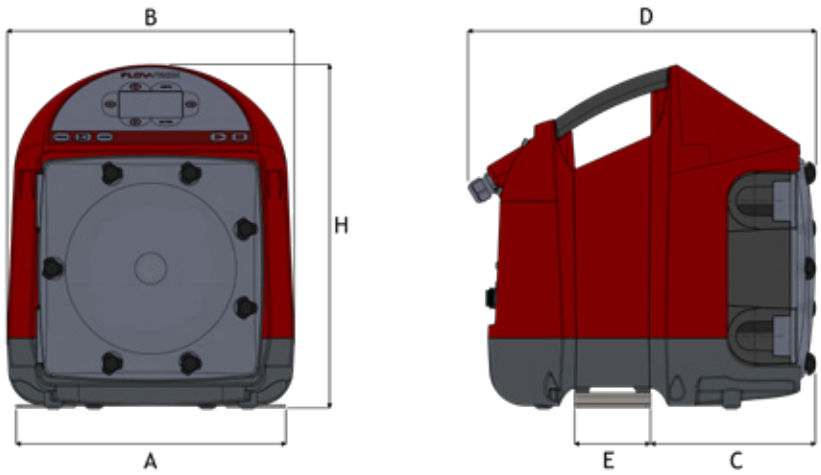
Suction tubing	Clear PVC
Suction strainer	Natural polypropylene
Discharge tubing	Natural polyethylene (LLDPE)
Injection fitting with check valve	Body & insert: PVDF

#### Non-wetted components:

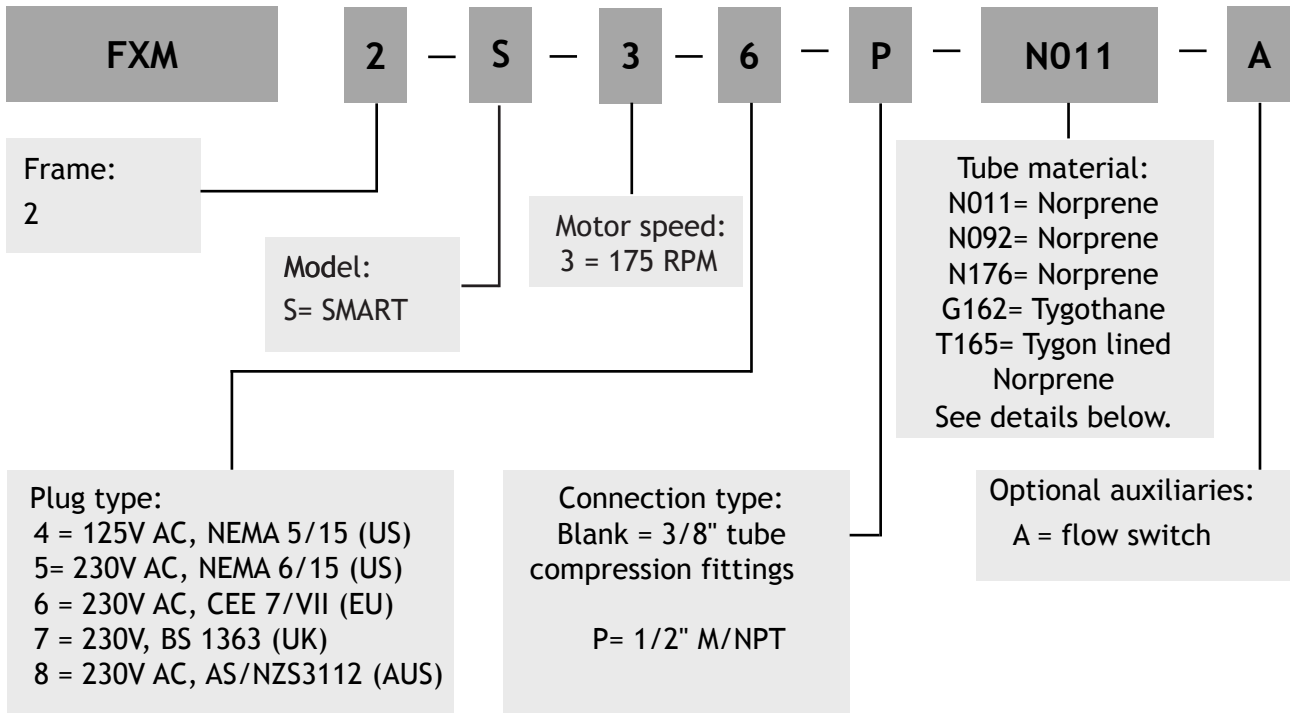
Pump head	PBT GF30
Housing	Powder coated aluminium
Pump head cover	Clear acrylic
Cover screws	300 SS, polypropylene caps
Roller assembly	Rotor: PBT GF30 Rollers: POM Roller bearings: ball bearing
Motor shaft	Chrome plated steel
Leak detection	Capacitive non-contact

**Dimensions in inches**

	B	H	A	D	E	C
FXM2	9.3	12.1	11.8	12.9	3.3	6.1



**FXM Model Matrix:**



**Maximum Flow Rate and Pressure Capabilities:**

Tube Number	Tubing Material	PSI	Gallons per Hour
N011	Norprene	125	2.9
N092	Norprene	125	24.3
N176	Norprene	30	46.5
G162	Tygothane	65	42.8
T165	Tygon lined Norprene	50	43.6



Neles Finland Oy  
P.O. Box 26  
FI-53101 Lappeenranta, Finland  
Tel. +358 (0)10 417 5000

Neles USA Inc  
808 Barkwood Court, Suite N  
Linthicum, MD 21090, USA  
Tel. +1-410-636 22502250

www.flowrox.com  
sales-us@flowrox.com

