



FXM3-S Metering Pump



Features

Only the tube is in contact with the process medium
Self-priming (up to 90 % of full vacuum)
Fully reversible operation
Dry run capability
Accurate metering throughout the whole operating range
Remote start/stop
Basic logic control
Serviceable rotor construction for ease of maintenance
Automatic identification of supply voltage
Field switchable power cord - no need to open pump housing
Available with flow verification switch
Digital touchpad adjustment - precise and reliable
3,5" backlit high resolution display
Display languages: English, German, Spanish, French, Finnish
Security: programmable 4-digit password

Materials of Construction

Primary pump wetted components:

Pump tube elements	Norprene® (for chemicals) or Tygothane® (for oils and fats) or Tygon lined Norprene® (acids). Adapter fittings: PVDF
--------------------	---

Accessories wetted components:

Suction strainer	Natural polypropylene
Injection fitting with check valve	Body & insert: PVDF

Non-wetted components:

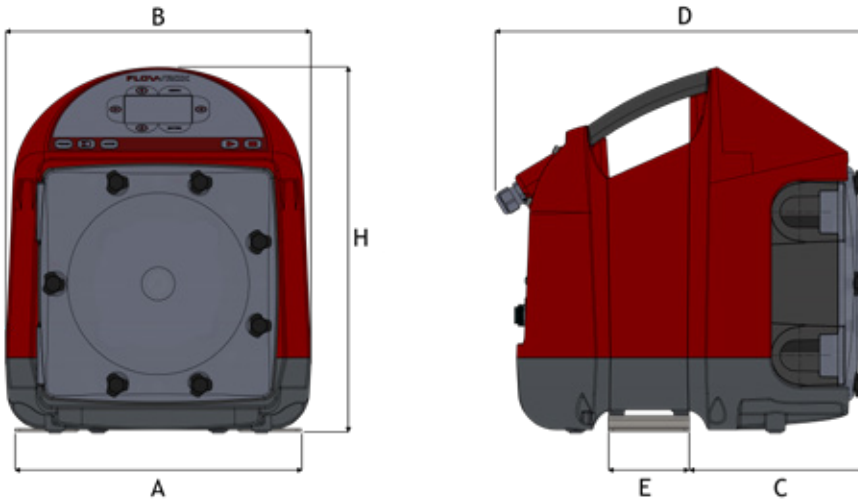
Pump head	PBT GF30
Housing	Powder coated aluminium
Pump head cover	Clear acrylic
Cover screws	300 SS, polypropylene caps
Roller assembly	Rotor: PBT GF30 Rollers: POM Roller bearings: ball bearing
Motor shaft	Chrome plated steel
Leak detector pins	Capacitive non-contact

Technical data

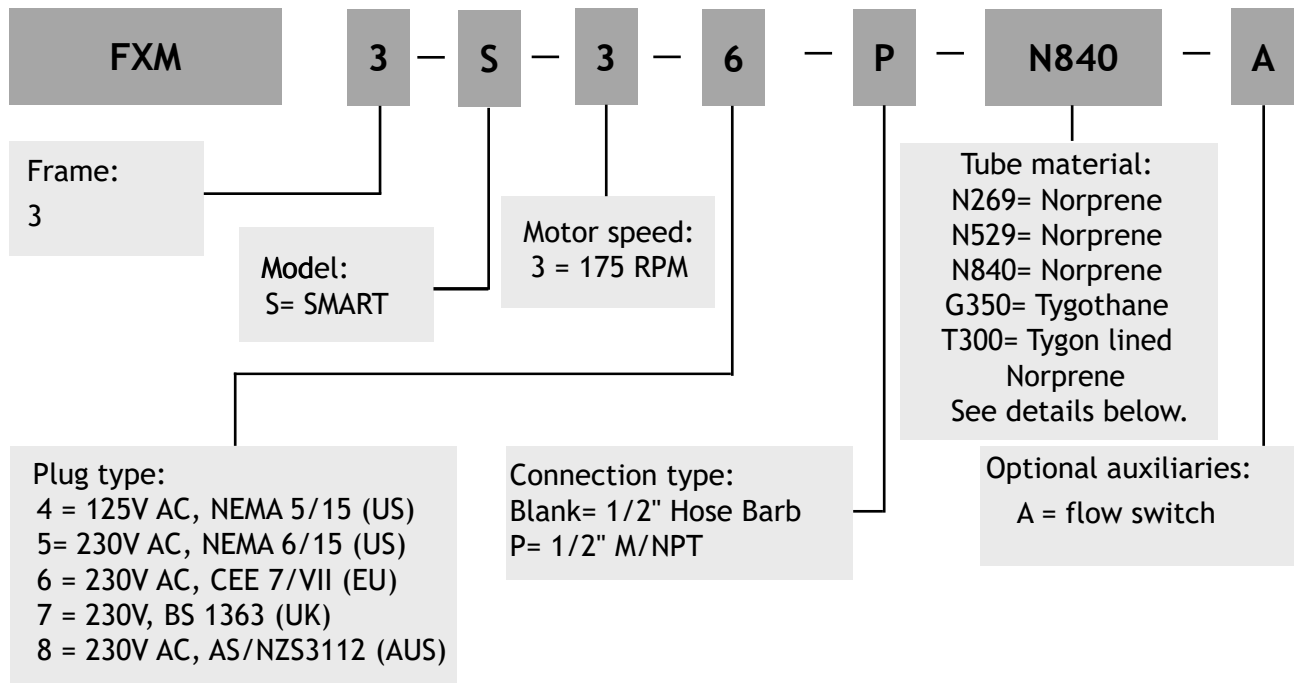
Weight/Shipping weight	20 kg / 21 kg
Maximum flow	840 l/h
Maximum working pressure	8.6 bar
Maximum suction lift	9 m water, 0.1 bar (Abs)
Maximum viscosity	12 000 centipoise
Motor installed power	0.19 kW
Remote adjustment	4-20 mA, 0-10 VDC or pulse
Inputs	2 remote inputs, 1 assignable input
Feedbacks	4-20 mA, pulse and 4 alarm contacts
Voltage (max amp)	Automatic identification: 96-264 VAC 50/60 Hz (2 amp)
Min. & max. ambient temp.	-10° to 55°C
Accuracy	± 0.5 %
Repeatability	± 0.5 %
Maximum fluid temperature	46° C
Output Speed control range	1-100 % in 0.1 % increment 0.02-1 % in 0.01 % increment. 5000:1 turndown.
Enclosure	NEMA 4X / IP66
Plug type	125V AC, NEMA 5/15 (US)
	230V AC, NEMA 6/15 (US)
	230V AC, CEE7/VII (Europe)
	230V, BS 1363 (UK)
	230V AC, AS/NZS3112 (AUS)

Dimensions in mm

	B	H	A	D	E	C
FXM3	320	383	300	387	85	184



FXM Model Matrix:



Maximum Flow Rate and Pressure Capabilities:

Tube number	Tubing material	Bar	Liters per hour
N269	Norprene	5,5	337
N529	Norprene	3,4	513
N840	Norprene	2,1	840
G350	Tygothane	4,5	358
T300	Tygon lined Norprene	2,1	307



Neles Finland Oy
P.O. Box 26
FI-53101 Lappeenranta, Finland
Tel. +358 (0)10 417 5000

www.flowrox.com
info@flowrox.com

