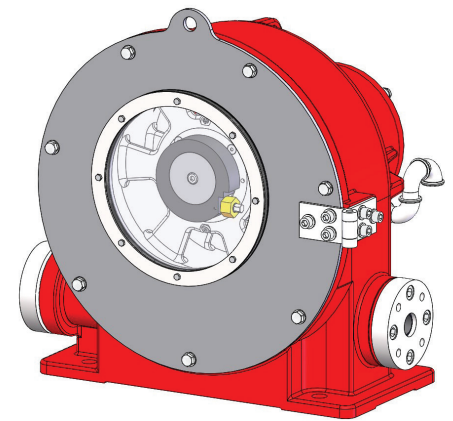
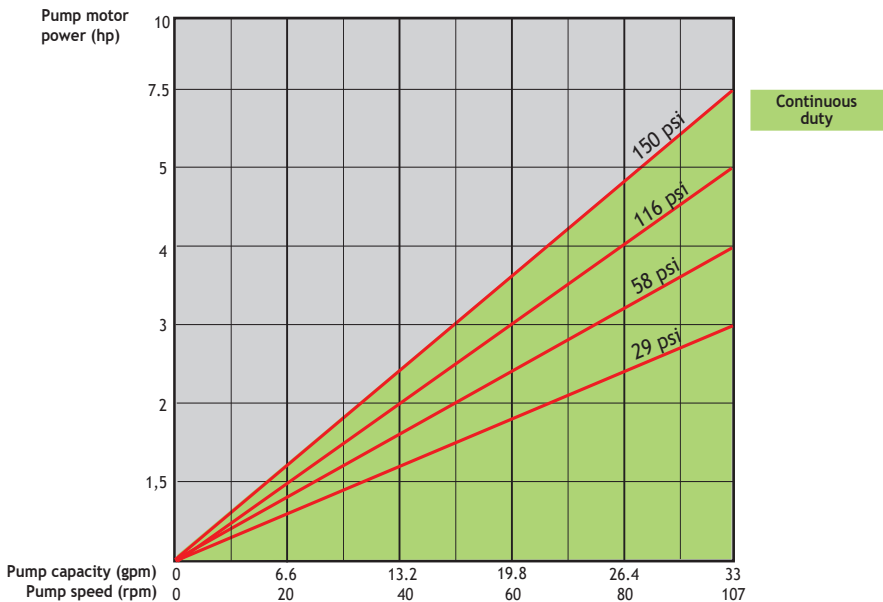




LPP-T 1.5 Hose Pump

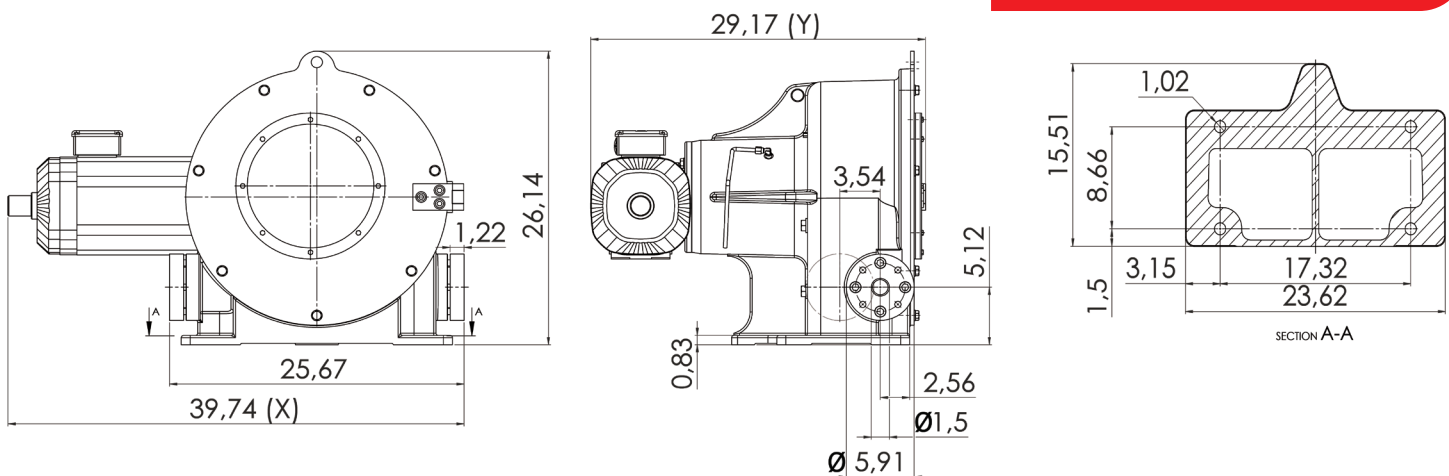
FLOW WITH MAXIMUM PRESSURE

LPP-T1.5 CAPACITY CHART, CONTINUOUS DUTY, UP TO 203 °F
(24 h/day/7 days per week)



Technical Data

- Maximum flow: 35.2 gpm
- Maximum pressure: 150 psi
- Flow/revolution: 0.33 gal
- Hose bore: 1.5 in
- Lubricant volume: 0.26 gal
- Weight: ~793 lb
- Motor power: 1.5–7.5 hp



Dimensions (X, Y) vary according to the drive size.
Please consult Flowrox for the exact drive sizing to your application.

FLOWROX PUMP MODEL NUMBERING

Model	Size (DN)	Drive	Pressure Class (PN)	Connection	Body Material	Drive Control	Auxiliaries
LPP-T= Industrial hose pump	1.25 1.5 2 2.5 3 4 (in)	GM = geared motor GU = gear unit BS = bare shaft pump	10 = 150 PSI 7.5 - 110 PSI (DN3)	1 = - 2 = flanged DIN PN10 3 = flanged DIN PN16 6 = flanged ANSI 150 8 = flanged B.S. TABLE D 9 = other	0 = FE	II = Integrated inverter (IP66) I = Inverter (IP20) N = None WC = Control unit	T = pressure transmitter with display R = Revolution detector D = Hose leak detector H = Connector hoses K = Connector flange for pressure transmitter F = Forced cooling

Example: Pump LPP-T1.5, geared motor, 150 psi, flanges DIN PN10, with integrated inverter, pressure transmitter with display, hose leak detector

Type marking: LPP-T1.5GM 10-2-0-II-TD

FLOWROX PUMP HOSE MODEL NUMBERING

Hose Type	Hose Material	Pressure Class (PN)	Hose Inner Diameter (in)
LPP-T = LPP-T pump hose	EPDM = Ethylene propylene NR = Natural rubber NBR = Nitrile NBRF = Nitrile (FDA)	10 = 150 PSI 7.5 = 110 PSI (3")	1.25 1.5 2 2.5 3 4

Example: LPP-T hose, natural rubber, pressure class 150 psi, hose bore diameter 1.5 in

Type marking: LPP-T1.5-NR10

Information without engagement. All rights to changes without prior notice reserved.



Flowrox
808 Barkwood Ct. Suite N.
Linthicum, MD 21090
Tel. +410-636-2250

www.flowrox.com
info@flowrox.com

