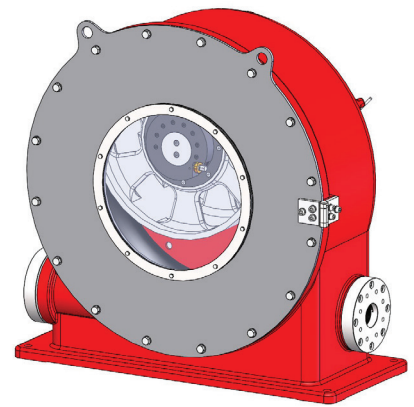
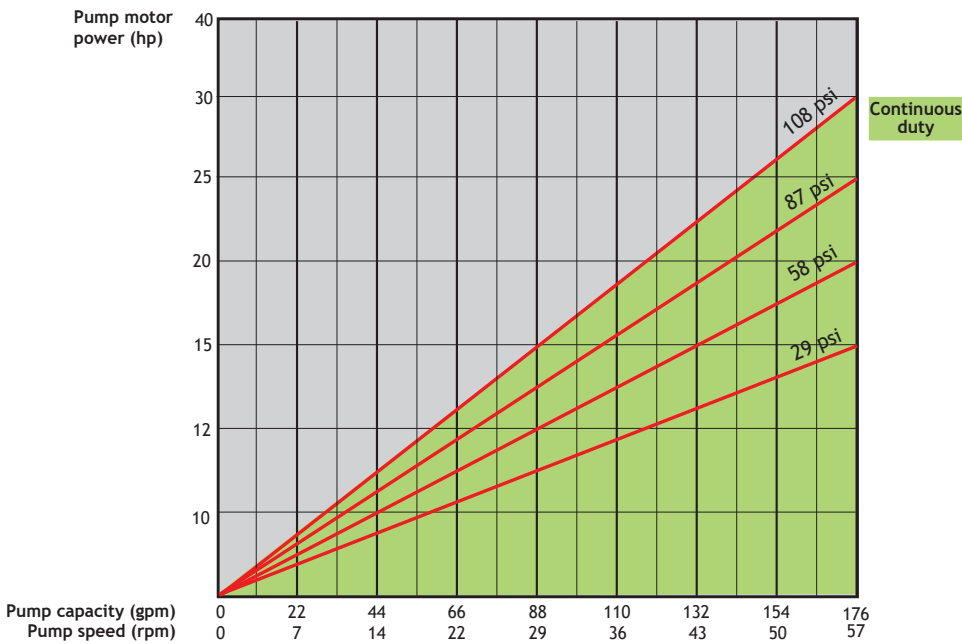




# LPP-T3 Hose Pump

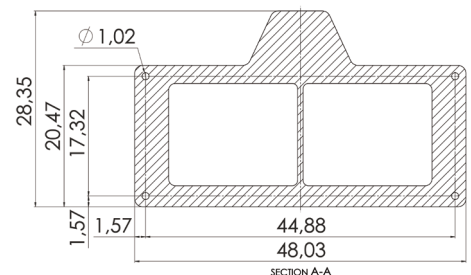
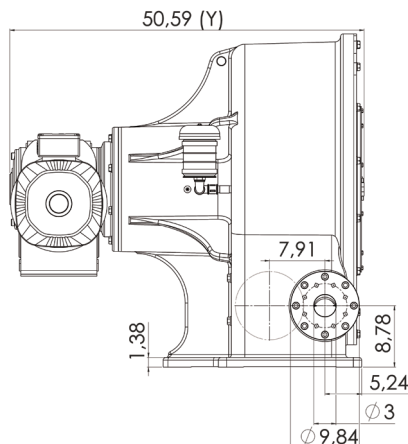
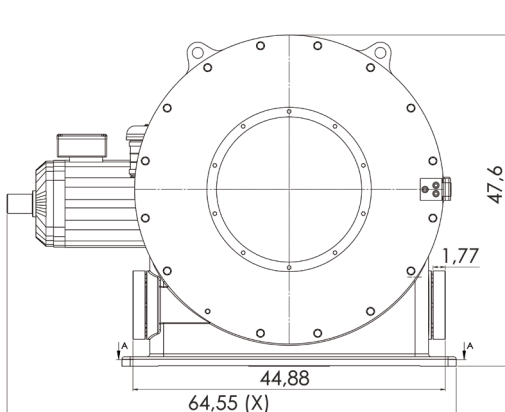
## FLOW WITH MAXIMUM PRESSURE

LPP-T3 CAPACITY CHART, CONTINUOUS DUTY UP TO 203 °F  
(24 h/day/7 days per week)



## Technical Data

- Maximum flow: 176 gpm
- Maximum pressure: 110 psi
- Flow/revolution: 1.4 gal
- Hose bore: 3 in
- Lubricant volume: 2.11 gal
- Weight: ~5401 lb
- Motor power: 15–30 hp



Dimensions (X, Y) vary according to the drive size.  
Please consult Flowrox for the exact drive sizing to your application.

## FLOWROX PUMP MODEL NUMBERING

Model	Size (DN)	Drive	Pressure Class (PN)	Connection	Body Material	Drive Control	Auxiliaries
LPP-T= Industrial hose pump	1.25 1.5 2 2.5 3 4 (in)	GM = geared motor GU = gear unit BS = bare shaft pump	10 = 150 PSI 7.5 - 110 PSI (DN3)	1 = - 2 = flanged DIN PN10 3 = flanged DIN PN16 6 = flanged ANSI 150 8 = flanged B.S. TABLE D 9 = other	0 = FE	II = Integrated inverter (IP66) I = Inverter (IP20) N = None WC = Control unit	T = pressure transmitter with display R = Revolution detector D = Hose leak detector H = Connector hoses K = Connector flange for pressure transmitter F = Forced cooling

**Example:** Pump LPP-T1.5, geared motor, 150 psi, flanges DIN PN10, with integrated inverter, pressure transmitter with display, hose leak detector

**Type marking:** LPP-T1.5GM 10-2-0-II-TD

## FLOWROX PUMP HOSE MODEL NUMBERING

Hose Type	Hose Material	Pressure Class (PN)	Hose Inner Diameter (in)
LPP-T = LPP-T pump hose	EPDM = Ethylene propylene NR = Natural rubber NBR = Nitrile NBRF = Nitrile (FDA)	10 = 150 PSI 7.5 = 110 PSI (3")	1.25 1.5 2 2.5 3 4

**Example:** LPP-T hose, natural rubber, pressure class 150 psi, hose bore diameter 1.5 in

**Type marking:** LPP-T1.5-NR10

*Information without engagement. All rights to changes without prior notice reserved.*



Flowrox  
808 Barkwood Ct. Suite N.  
Linthicum, MD 21090  
Tel. +410-636-2250

www.flowrox.com  
info@flowrox.com

