

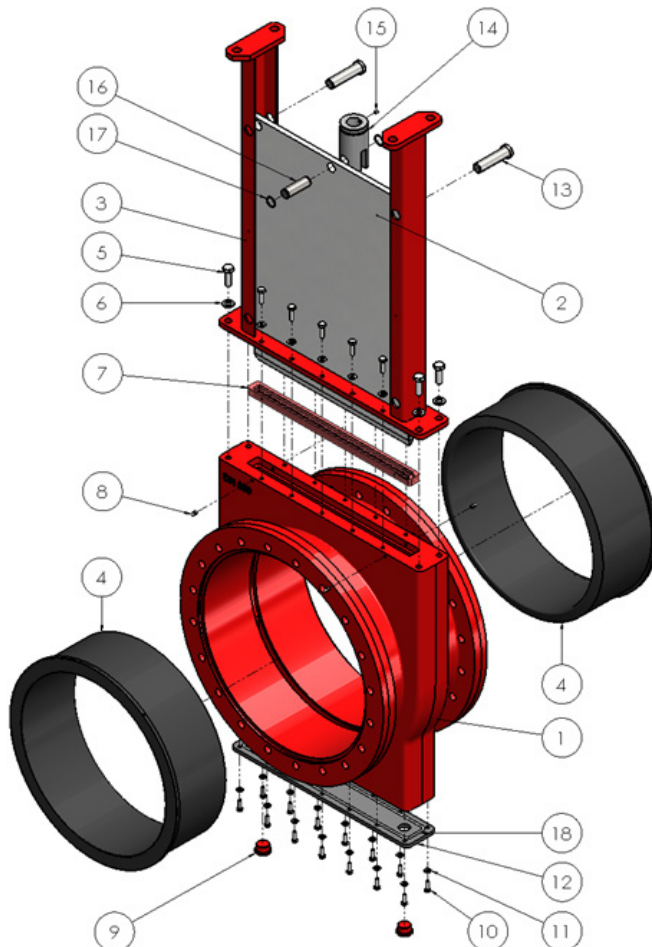


## SKF Slurry Knife Gate Valves

### EXPLODED VIEW OF A FLANGED SKF KNIFE GATE VALVE

Part	Qty	Description	Part	Qty	Description
1	1	Valve body	10	**	Bottom cover bolt
2	1	Gate	11	**	Bottom cover washer
3	1	Tower	12	1	Bottom cover plate
4	2	Ring sleeve*	13	2	Locking pin (optional)
5	**	Tower mounting bolt	14	1	Clevis
6	**	Tower mounting washer	15	1	Clevis locking screw
7	1	Secondary seal*	16	1	Clevis pin
8	4	Grease nipple	17	2	Retaining ring
9	2	Protective plug	18	1	PTFE sealing strip

\*recommended spare part  
\*\* qty depends on valve size



### TECHNICAL DATA

#### Valve Body

- Heavy duty single piece cast body
- Heavy duty tower
- Lubrication ports
- Flushing ports
- Removable bottom cover plate

#### Actuators

- Manual
- Manual gear
- Pneumatic
- Hydraulic
- Electric

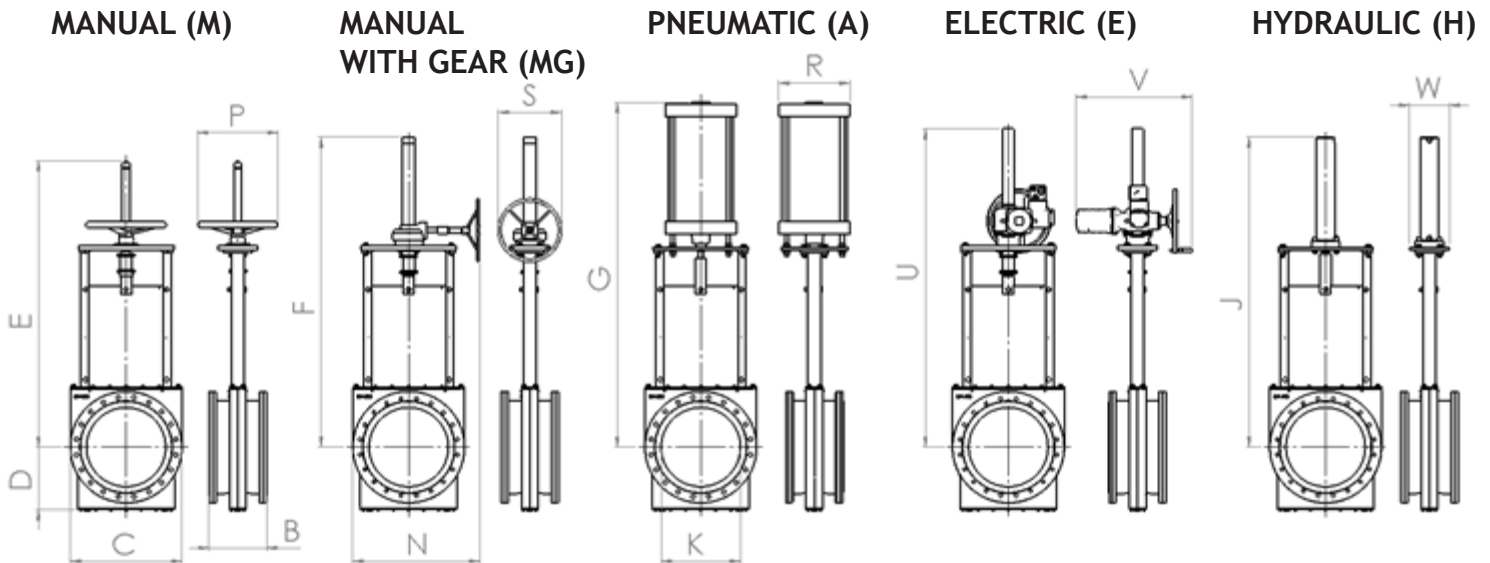
#### Accessories

- Limit Switches
- Solenoid valves
- Guarding
- Flushing





## MAIN DIMENSIONS OF SKF VALVES



Valve size (DN)	B	B*	C	D	E		G		J	U		K		N		P		R		S		V		W		Weight (kg)					T
					M	MG	A	H		E	MG	M	A	MG	E	H	M	MG	A	E	H	M	MG	A	E	H					
3	7	7	8	4	25	-	27	-	29	3	-	14	4	-	20	-	71	-	68	126	-	G 1/2"									
4	7	7	9	5	25	-	28	-	30	4	-	14	5	-	20	-	86	-	90	141	-	G 1/2"									
6	7	7	11	6	36	-	38	-	35	6	-	14	7	-	20	-	90	-	146	176	-	G 1/2"									
8	7	7	14	7	40	-	44	-	38	8	-	14	9	-	20	-	187	-	220	238	-	G 1/2"									
10	9	9	16	9	-	-	52	-	45	10	-21	-	11	-16	21	-	-	-	315	313	-	G 1/2"									
12	10	10	19	10	-	54	60	-	54	12	22	-	13	16	21	-	-	412	558	448	-	G 1"									
14	10	10	21	11	-	57	65	60	58	14	27	-	13	16	29	8	-	474	622	556	476	G 1"									
16	11	11	24	13	-	62	71	67	63	16	30	-	13	16	29	8	-	626	769	705	628	G 1"									
18	12	12	25	14	-	74	81	72	72	18	32	-	18	16	29	10	-	739	926	811	758	G 1"									
20	14	14	28	16	-	77	86	77	79	20	34	-	18	16	29	10	-	985	1162	1105	994	G 1"									
24	15	15	32	18	-	89	-	90	88	24	-	-	-	-	31	10	-	1387	-	1543	1437	G 1"									

Bigger sizes on request

B\* = ring sleeve uncompressed

M = handwheel

MG = manual with gearbox

A = pneumatic

E = electric

H = hydraulic

T = flushing connection

Dimensions and weight are for guidance only

- detailed drawings are available on request.

All other dimensions are in inches including the flushing connections.

Manual and electric valve stems are covered by bellows.



Flowrox Inc.  
808 Barkwood Court Suite N  
21090 Linthicum, Maryland  
Tel. +1-410-636 2250

www.flowrox.com  
sales-us@flowrox.com

