

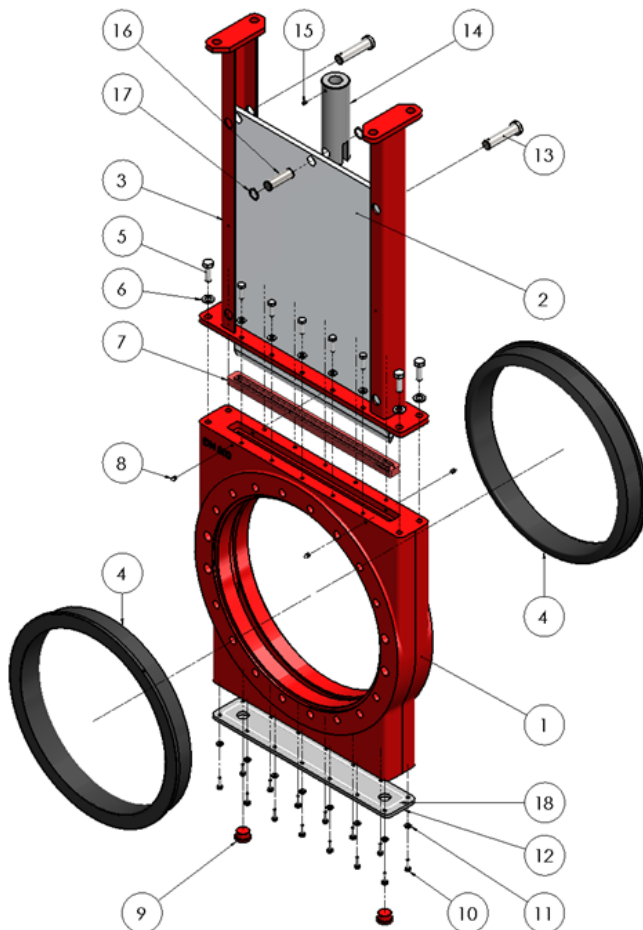


SKW Slurry Knife Gate Valves

EXPLODED VIEW OF SKW WAFER KNIFE GATE VALVE

Part	Qty	Description	Part	Qty	Description
1	1	Valve body	10	**	Bottom cover bolt
2	1	Gate	11	**	Bottom cover washer
3	1	Tower	12	1	Bottom cover plate
4	2	Ring sleeve*	13	2	Locking pin (optional)
5	**	Tower mounting bolt	14	1	Clevis
6	**	Tower mounting washer	15	1	Clevis locking screw
7	1	Secondary seal*	16	1	Clevis pin
8	4	Grease nipple	17	2	Retaining ring
9	2	Protective plug	18	1	PTFE sealing strip

*recommended spare part
** qty depends on valve size



TECHNICAL DATA

Valve Body

- Heavy duty single piece cast body
- Heavy duty tower
- Lubrication ports
- Flushing ports
- Removable bottom cover plate

Actuators

- Manual
- Manual gear
- Pneumatic
- Hydraulic
- Electric

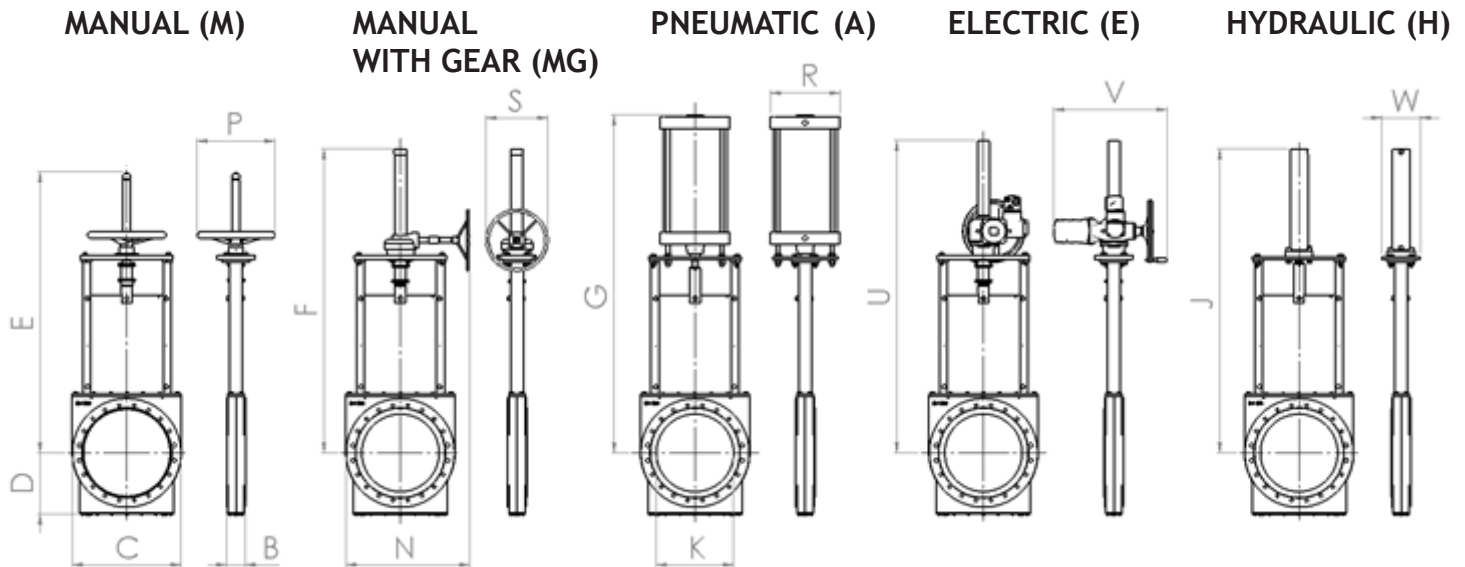
Accessories

- Limit Switches
- Solenoid valves
- Guarding
- Flushing





MAIN DIMENSIONS OF SKW VALVES



Valve size (IN)	B	B*	C	D	E		F		G		J		U		K		N		P		R		S		V		W		Weight (kg)					T
					M	MG	A	H	E		MG	M	A	MG	E	H	M	MG	A	E	H	M	MG	A	E	H								
2	2.1	2.3	6.5	4	22.3	-	23	-	-	-	-	-	-	-	-	13.8	4.3	-	-	-	-	-	-	-	-	-	44	-	37	-	-	G1/2"		
3	2.2	2.4	7.9	4.4	24.7	-	26.9	-	29.1	3	-	13.8	4.3	-	20.2	-	53	-	49	106	-	-	-	-	-	53	-	49	106	-	G1/2"			
4	2.2	2.4	9	5.2	25.5	-	28.5	-	29.6	4	-	13.8	4.7	-	20.2	-	66	-	62	112	-	-	-	-	-	66	-	62	112	-	G1/2"			
6	2.5	2.7	11.2	6.2	36.3	-	38.3	-	34.6	6	-	13.8	6.9	-	20.2	-	93	-	108	141	-	-	-	-	-	93	-	108	141	-	G1/2"			
8	3	3.1	13.6	7.4	39.6	14.2	43.9	38.9	38.3	8	18.3	13.8	8.7	15.7	20.2	6	134	192	165	183	130	-	-	-	-	134	192	165	183	130	G1/2"			
10	3	3.1	16.1	8.8	44.6	-	51.8	-	45.3	10	-	13.8	9.8	-	21.1	-	181	-	249	229	-	-	-	-	-	181	-	249	229	-	G1/2"			
12	3.3	3.4	19	10.3	-	54.3	59.5	-	53.7	12	21	-	13.4	15.7	21.1	-	-	295	419	331	-	-	-	-	-	295	419	331	-	G 1"				
14	3.3	3.4	21	11.2	-	57.3	65.4	59.9	58.3	14	22	-	13.4	15.7	28.5	8	-	320	474	406	322	-	-	-	-	320	474	406	322	G 1"				
16	3.7	3.9	23.6	12.7	-	62	70.8	66.9	63	16	27.5	-	13.4	15.7	28.5	8	-	410	573	489	412	-	-	-	-	410	573	489	412	G 1"				
18	3.7	3.9	25.4	13.9	-	73.8	80.7	72.1	72.2	18	30.1	-	17.7	15.7	28.5	10	-	505	701	578	536	-	-	-	-	505	701	578	536	G 1"				
20	4.8	4.9	27.7	15.9	-	77.2	85.8	77.2	79.3	20	31.5	-	17.7	15.7	28.8	10	-	697	882	816	705	-	-	-	-	697	882	816	705	G 1"				
24	4.8	4.9	32.5	17.6	-	88.6	91.5	90.2	88	24	33.9	-	24.8	15.7	28.8	10	-	1016	1305	1173	1067	-	-	-	-	1016	1305	1173	1067	G 1"				

Bigger sizes on request

B* = ring sleeve uncompressed
M = handwheel
MG = manual with gearbox
A = pneumatic
E = electric
H = hydraulic
T = flushing connection

Dimensions and weight are for guidance only - detailed drawings are available on request. All other dimensions are in inches including the flushing connections.

Manual and electric valve stems are covered by bellows.

Information without engagement. All rights to changes without prior notice reserved.



Neles USA Inc.
808 Barkwood Court, Suite N
Linthicum, MD 21090, USA
Tel. +1-410-636-2250

www.flowrox.com
sales-us@flowrox.com

