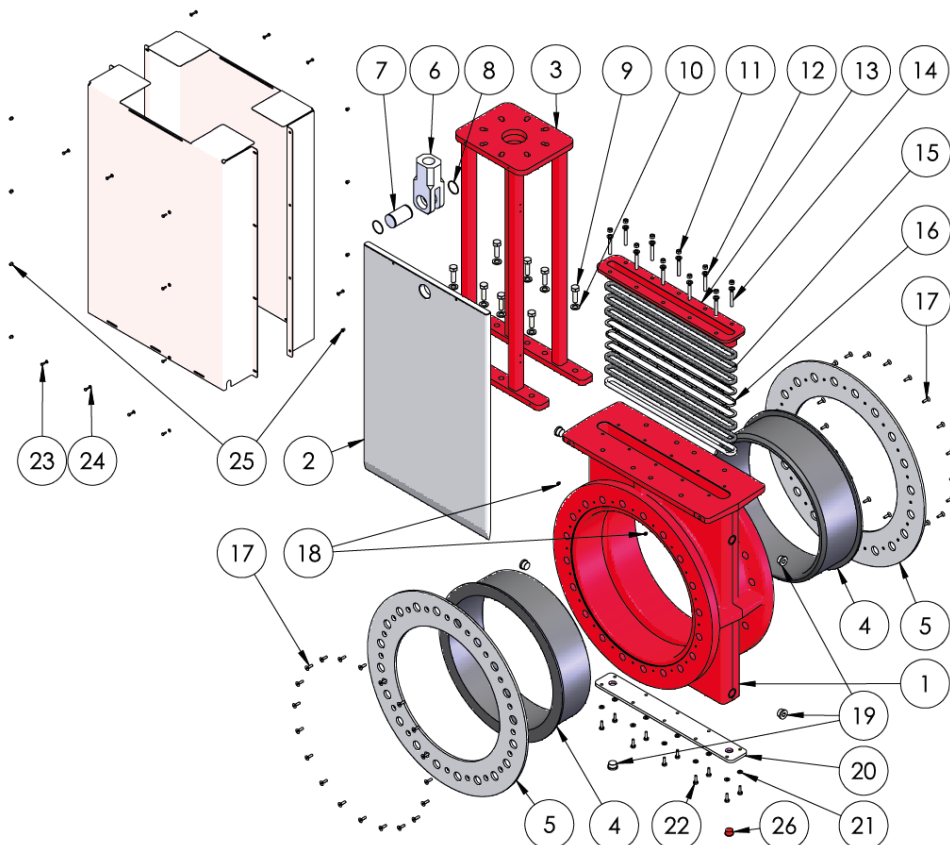




SKH Slurry Knife Gate Valves, up to 300 psig, 3"-24"

Part	Qty	Description	Part	Qty	Description
1	1	Valve body	11		Gland retainer nut
2	1	Gate	12		Gland retainer washer
3	1	Tower	13	1	Gland retainer
4	2	Ring sleeve (recommended spare part)	14		Gland retainer stud bolt
5	2	Ring sleeve retainer	15		Packing seal
6	1	Clevis	16		Grease spacer
7	1	Clevis pin	17		Socket head countersunk screw
8	2	Clevis pin retaining ring	18		Grease nipple
9		Tower mounting bolt	19		Flushing plug
10		Tower mounting washer			



TECHNICAL DATA

Valve Body

- Heavy duty single piece cast body
- Heavy duty tower
- Lubricated gland packing
- Flushing ports

Actuators

- Handwheel with gearbox
- Pneumatic
- Pneumatic with pneumatic spring
- Hydraulic
- Electric

Accessories

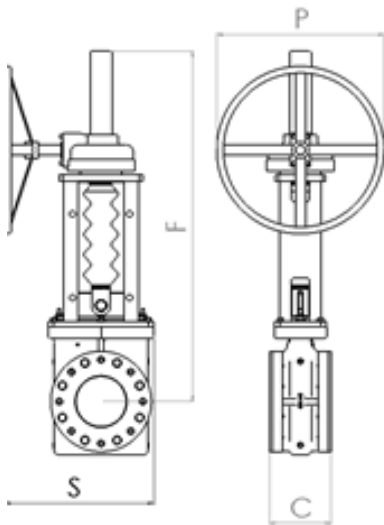
- Limit switches
- Solenoid valves
- Guarding
- Flushing

Pressure: up to 300 psig
 Sizes: 3" - 24"

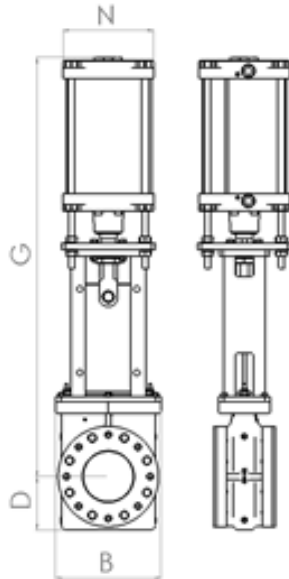


Main dimensions of SKH valves

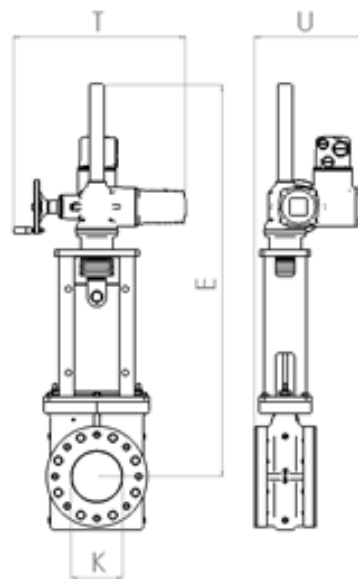
HANDWHEEL WITH GEARBOX (M)



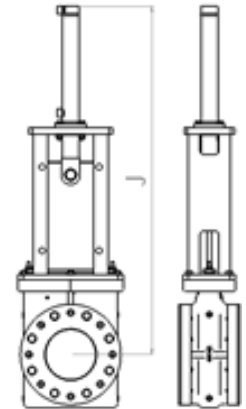
PNEUMATIC



ELECTRIC



HYDRAULIC



Valve size (in)	B	C	D	E	F	G	J	K	N	P	S	T	U	Weight (lb)			
				E	MG	A	H		A	MG		E		E	MG	A	H
3	10.4	6.8	5	33	30	34.4	30	3.1	7.1	7.8	15.2	20.2	14.5	150	130	123	95
4	11.3	7.1	6.7	35.1	34	39.4	34.1	3.9	9.6	7.8	15.6	20.2	15	176	158	169	286
5	13	7.2	7.8	38.8	39.5	46.8	39.6	4.9	11.2	7.8	16.5	20.2	15.8	266	249	143	211
6	13	7.2	7.8	38.8	39.5	46.8	39.6	5.9	11.2	7.8	16.5	20.2	15.8	266	233	315	249
8	15	7.2	8.6	46.7	47	55.5	47.4	7.8	13.6	15.7	19.4	21.1	17.2	317	286	443	249
10	17	8.9	9.7	51.7	52.3	62.6	53.7	9.8	17.7	15.7	20.4	28.5	19.7	493	412	579	377
12	18.9	9.5	11.7	58.4	58.4	61.5	59.7	11.8	24	15.7	24.1	28.7	20.7	670	608	851	500
14	24	9.9	13.3	69.2	68.7	-	70.1	13.7	-	23.6	31.4	28.5	23	1078	862	-	912
16	26	11.2	14.3	80.3	79.7	-	81.8	15.7	-	19.7	32.4	28.5	24	134	1131	-	1217
18	28	12.2	15.2	87.2	-	-	89.6	17.7	-	-	-	31.3	27	167	-	-	1768
20	30	14.6	16.2	94	-	-	94.5	19.7	-	-	-	31.3	27.8	1918	-	-	1951
24	33.8	14.6	18.8	104.4	-	-	101.9	23.6	-	-	-	36.2	33.1	2418	-	-	2469

Dimensions and weight are for guidance only, detailed drawings are available on request. All dimensions are in inches.



Flowrox Inc.
808 Barkwood Ct. Suite N.
Linthicum, MD 21090, United States of America
Tel. +410-636-2250

www.flowrox.com
info@flowrox.com

