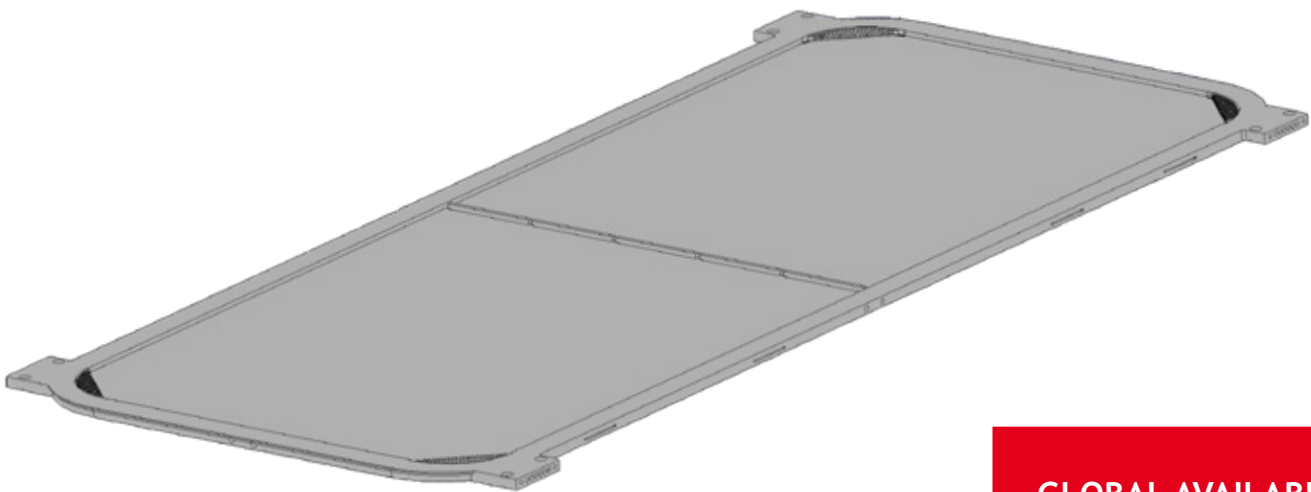


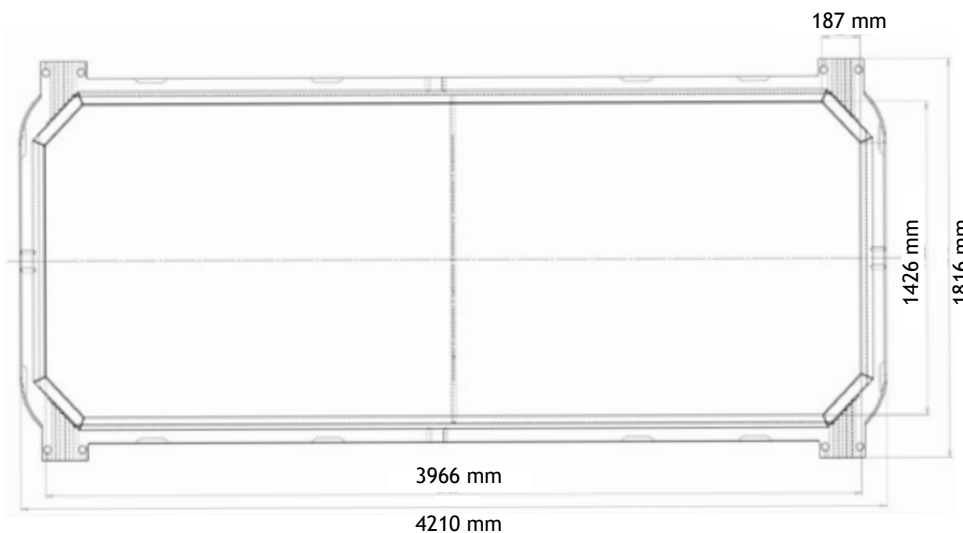


Filtrate Vats for Tower Press Filters, size 6 m²

Flowrox filtrate vat, 6 m², 1816 x 4210 mm, corner type 210 x 210



Filtrate vats are available in different chamber heights, thicknesses and corner types. See second page for more options or consult Flowrox filter service experts info@flowrox.com



GLOBAL AVAILABILITY

Headquarters, Finland:
Tel: +358 201 113 311
sales@flowrox.com

Africa:
Tel: +27 81 030 1015
sales-rsa@flowrox.com

Australia:
Tel: +61 2 9114 9715
sales-au@flowrox.com

North America:
Tel: +1 410 636 2250
sales-us@flowrox.com

South America:
Chile
Tel: +56 2 3224 9704
sales-chile@flowrox.com

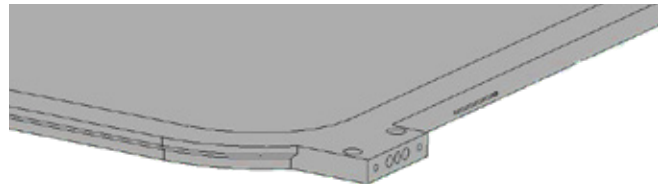
Peru
Tel: +51 9 7973 5424
sales-peru@flowrox.com

Russia & CIS:
Tel: +7 495 726 57 41
sales-ru@flowrox.com

Technical data for Flowrox filtrate vats, size 6 m²

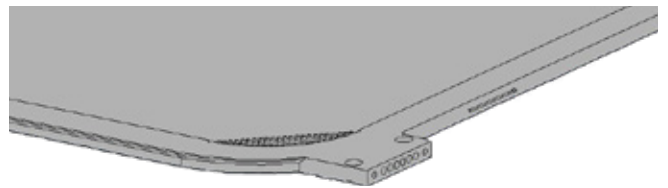
Corner type R220

- Chamber height: 45 and 60 mm
- With or without steel pipes
- All models available: lowest, normal and top vat



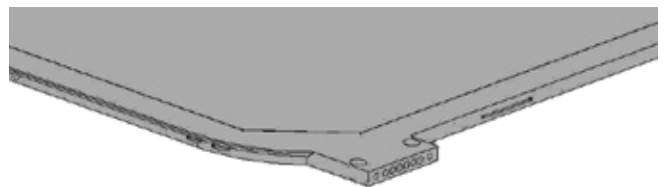
Corner type 210 x 210

- Chamber height: 45, 60 and 75 mm
- With or without steel pipes
- All models available: lowest, normal and top vat



Corner type 173 x 173

- Chamber height: 45, 60 and 75 mm
- With or without steel pipes
- All models available: lowest, normal and top vat



Flowrox Oy
P.O. Box 338
FI-53101 Lappeenranta, Finland
Tel. +358 201 113 311

www.flowrox.com
info@flowrox.com

