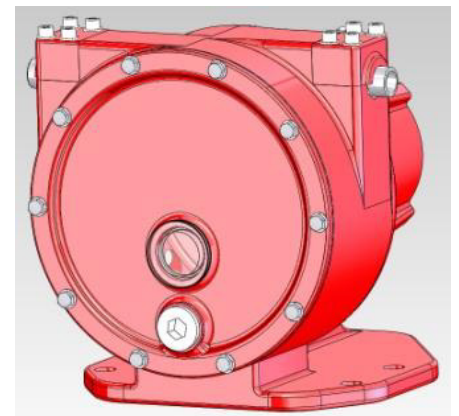
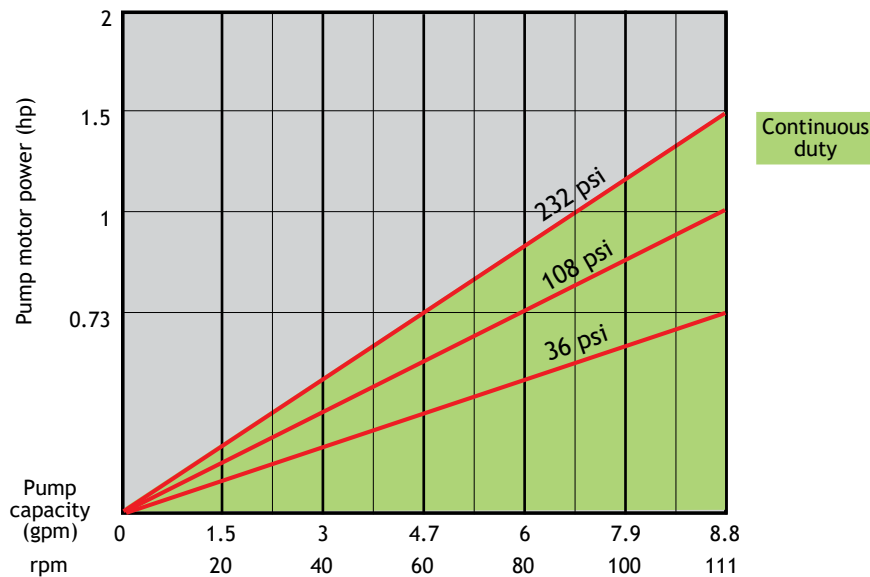




# LPP-D1" Hose Pump

## FLOW WITH MAXIMUM PRESSURE

LPP-D1" CAPACITY CHART, CONTINUOUS DUTY, UP TO 203 °F  
(24 h/day/7 days per week)

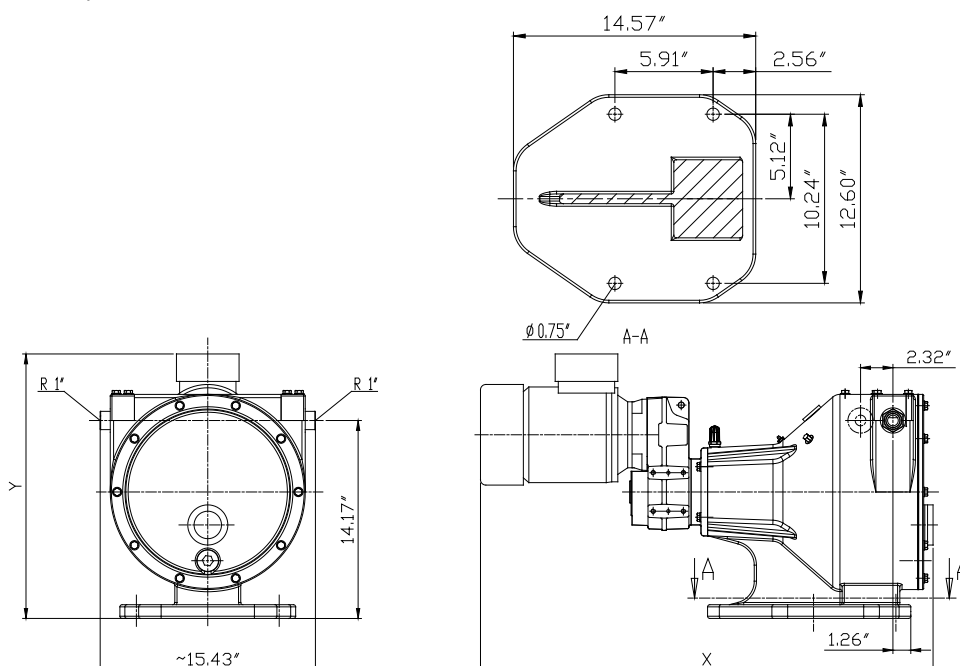


### Technical Data

Maximum flow: 8.8 gpm  
 Maximum pressure: 232 psi  
 Flow/revolution: 0.0793 gallon  
 Hose connection: 1"  
 Hose bore: 1"  
 Lubricant volume: 0.11 gallon  
 Weight: ~132 lbs  
 Motor power: 0.75 - 2 hp

### Construction materials

Housing: High-strength cast aluminium  
 Crank shaft: Carbon steel  
 Rotor: PU or black nitrated steel  
 Hose materials (colour code):  
 EPDM (violet)  
 NR (light blue)  
 NBR (yellow)  
 NBRF (white)



Dimensions (X, Y) vary according to the drive size.  
Please consult Flowrox for the exact drive sizing for your application.

## FLOWROX PUMP MODEL NUMBERING

Model	Size (IN)	Drive	Pressure Class (PSI)	Connection	Body Material	Drive Control	Auxiliaries
LPP-D= Dosing pump	1/2 3/4 1	GM = geared motor GU = gear unit BS = bare shaft pump	108 psi 232 psi	1/2" 3/4" 1" 9 = other	3 = AL	II = Integrated inverter (IP66) I = Inverter (IP20) N = None	R = Revolution detector D = Hose leak detector F = Forced cooling

**Example:** Pump LPP-D1/2, geared motor, 232 psi, hose connection 1/2", without inverter, revolution detector  
**Type marking:** LPP-D1/2GM 16-1/2"--3-N-R

## FLOWROX PUMP HOSE MODEL NUMBERING

Hose Type	Hose Material	Pressure Class	Hose Inner Diameter
LPP-D = LPP-D pump hose	EPDM = Ethylene propylene NR = Natural rubber NBR = Nitrile NBRF = Nitrile (FDA)	108 psi 232 psi	1/2 3/4 1

**Example:** LPP-D hose, natural rubber, pressure class 232 psi, hose bore diameter 0.59 in  
**Type marking:** LPP-D1/2-NR16



Flowrox Oy  
P.O. Box 338  
FI-53101 Lappeenranta  
Finland  
Tel. +358 201 113 311

Flowrox  
808 Barkwood Ct. Suite N.  
Linthicum, MD 21090  
USA  
Tel. +410-636-2250

www.flowrox.com  
info@flowrox.com

