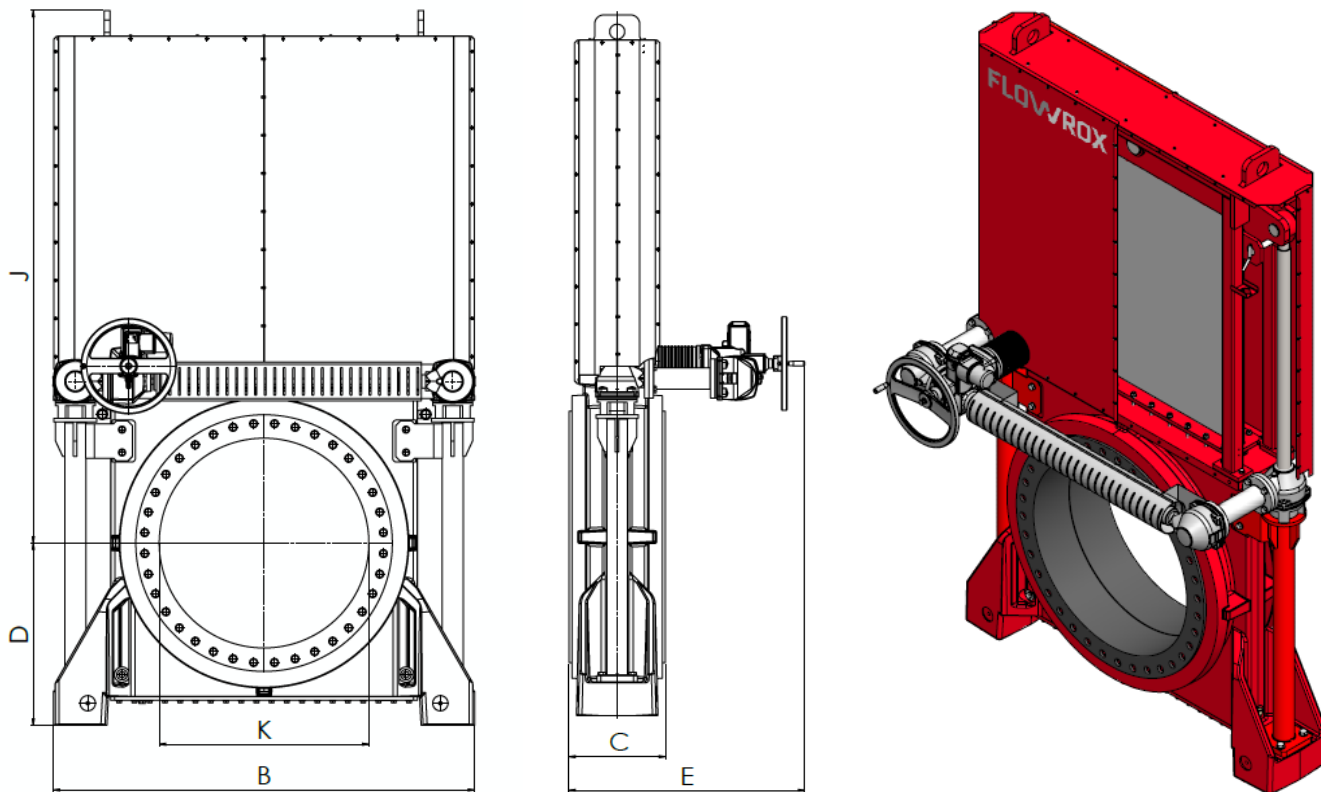




## SKF DN900-1500 Slurry Knife Gate Valves

### MAIN DIMENSIONS OF SKF VALVES

ELECTRIC (E)



Valve size (DN)	B	C	D	E	J	K	Pressure (bar)	Weight (kg)
900	1850	469	805	985	x	900	10	x
1000	2060	512	880	1020	x	1000	6	x
1050	2060	512	880	1020	2482	1050	6	x
1200	2210	512	995	1020	2783	1200	6	~4550
1350	2360	512	1030	1125	3027	1350	4	~5200
1500	2510	512	1105	1125	3272	1500	4	~5600

PN 10 and ANSI 150, others on request. Dimensions and weight are for guidance only - detailed drawings available on request. All dimensions in millimeters.

Information without engagement. All rights to changes without prior notice reserved.



Flowrox Oy  
P.O. Box 338  
FI-53101 Lappeenranta, Finland  
Tel. +358 201 113 311

[www.flowrox.com](http://www.flowrox.com)  
[info@flowrox.com](mailto:info@flowrox.com)

