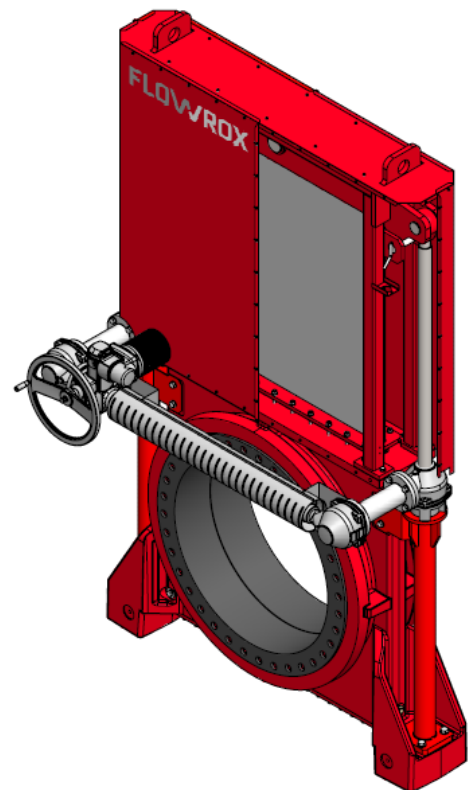
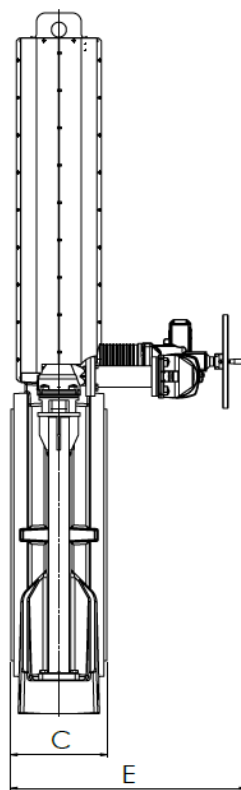
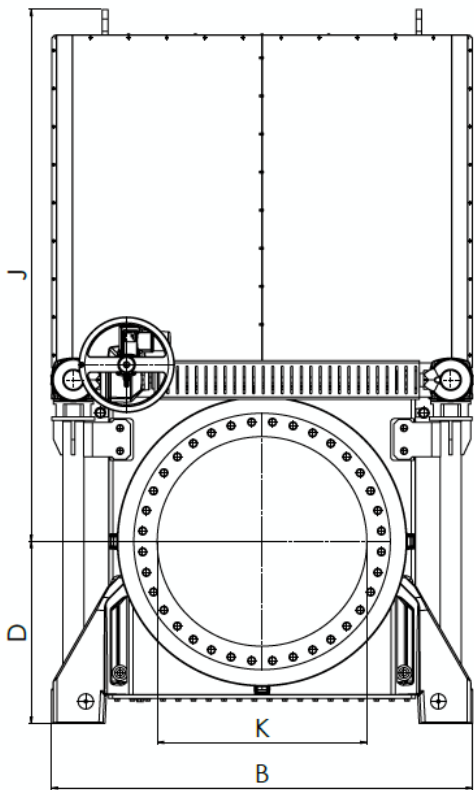




## SKF 36"-60" Slurry Knife Gate Valves

### MAIN DIMENSIONS OF SKF VALVES

ELECTRIC (E)



Valve size (inch)	B	C	D	E	J	K	Pressure (psi)	Weight (lbs)
36	73	18	32	39	x	35	145	x
40	81	20	35	40	x	39	87	x
42	81	20	35	40	98	41	87	x
48	87	20	39	40	110	47	87	~10,031
54	93	20	41	44	119	53	58	~11,464
60	99	20	44	44	129	59	58	~12,346

PN 10 and ANSI 150, others on request. Dimensions and weight are for guidance only - detailed drawings are available on request.  
All dimensions are in inches.

Information without engagement. All rights to changes without prior notice reserved.



Neles USA Inc.  
808 Barkwood Court, Suite N  
Linthicum, MD 21090, USA  
Tel. +410-636-2250

www.flowrox.com  
sales-us@flowrox.com

