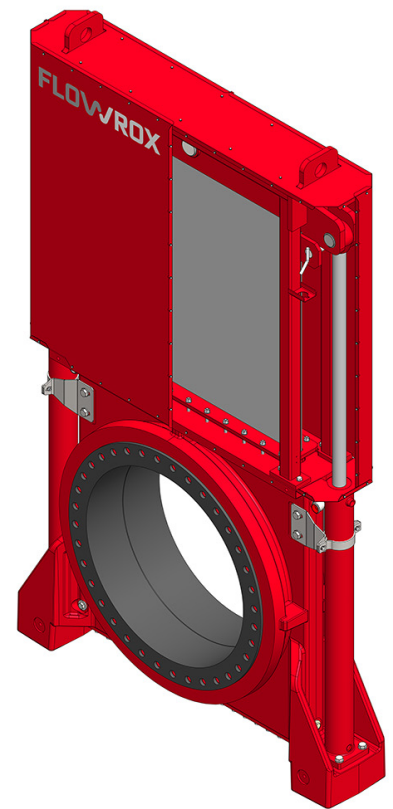
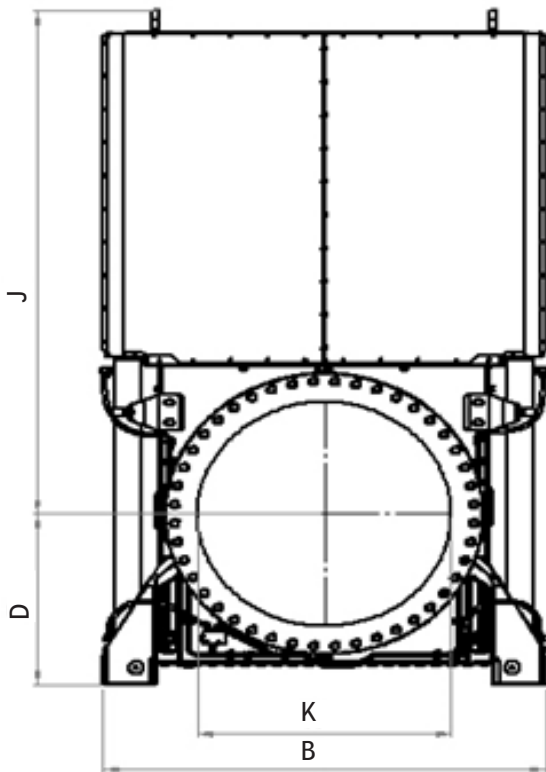




SKF 36"-60" Slurry Knife Gate Valves

MAIN DIMENSIONS OF SKF VALVES

HYDRAULIC (H)



Valve size (inch)	B	C	D	J	K	Pressure (psi)	Weight (lbs)
36	73	18	32	x	35	145	x
40	81	20	35	x	39	87	x
42	81	20	35	98	41	87	x
48	87	20	39	110	47	87	~9700
54	93	20	41	119	53	58	~11 000
60	99	20	44	129	59	58	~12 000

Dimensions and weight are for guidance only - detailed drawings are available on request. All dimensions are in inches.

Information without engagement. All rights to changes without prior notice reserved.

