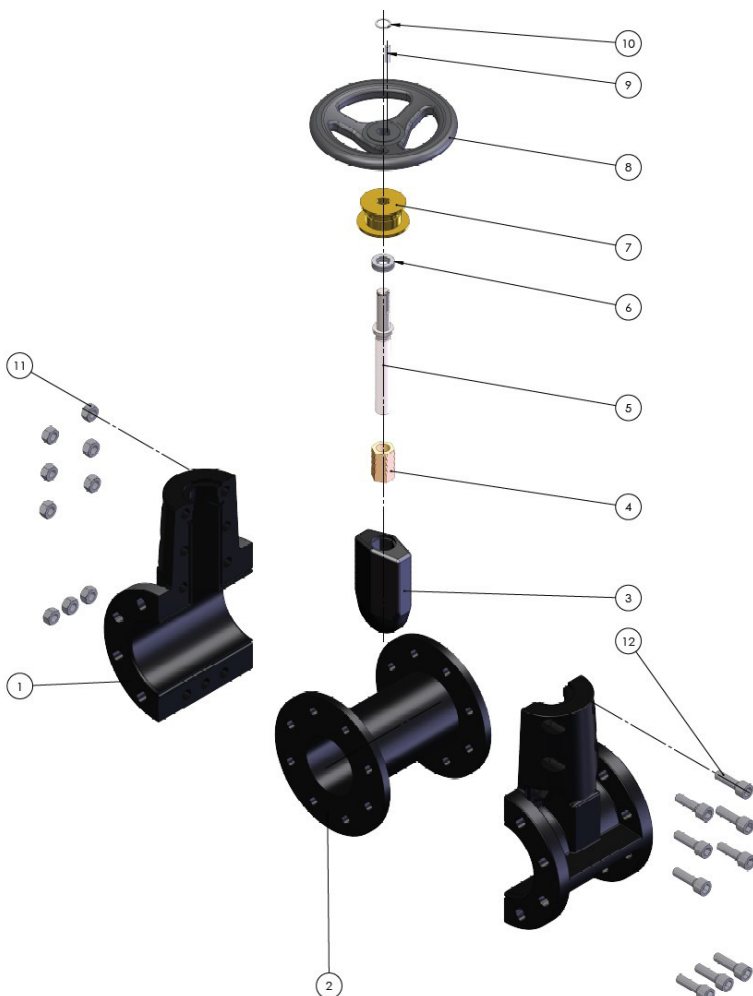




PVEG General Line Pinch Valves

EXPLODED VIEW OF PVEG VALVE WITH MANUAL ACTUATOR

Part	Description	Part	Description
1	Body	7	Support bushing
2	Sleeve	8	Hand wheel
3	Pusher	9	Key
4	Nut bushing	10	Retaining ring
5	Stem	11	Hex nut
6	Thrust bearing	12	Hex socket screw



TECHNICAL DATA

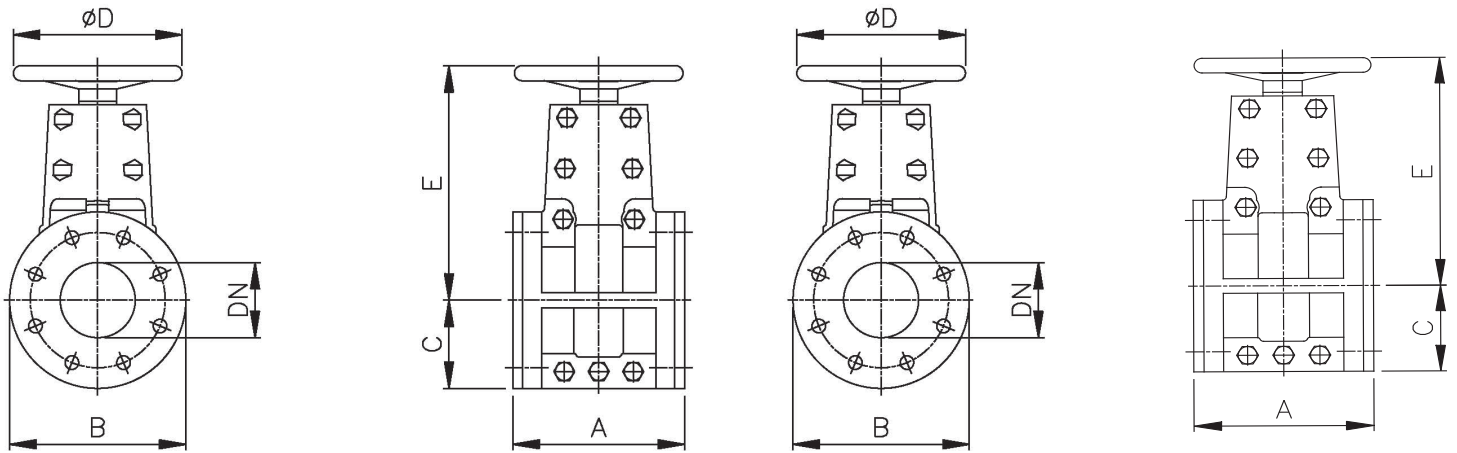
- Corrosion resistant, lightweight plastic body (polyamide)
- Bubble-tight shut-off
- Actuators: manual & pneumatic
- Temperature range: 32 °F - 158 °F
- Sizes up to 150 PSI



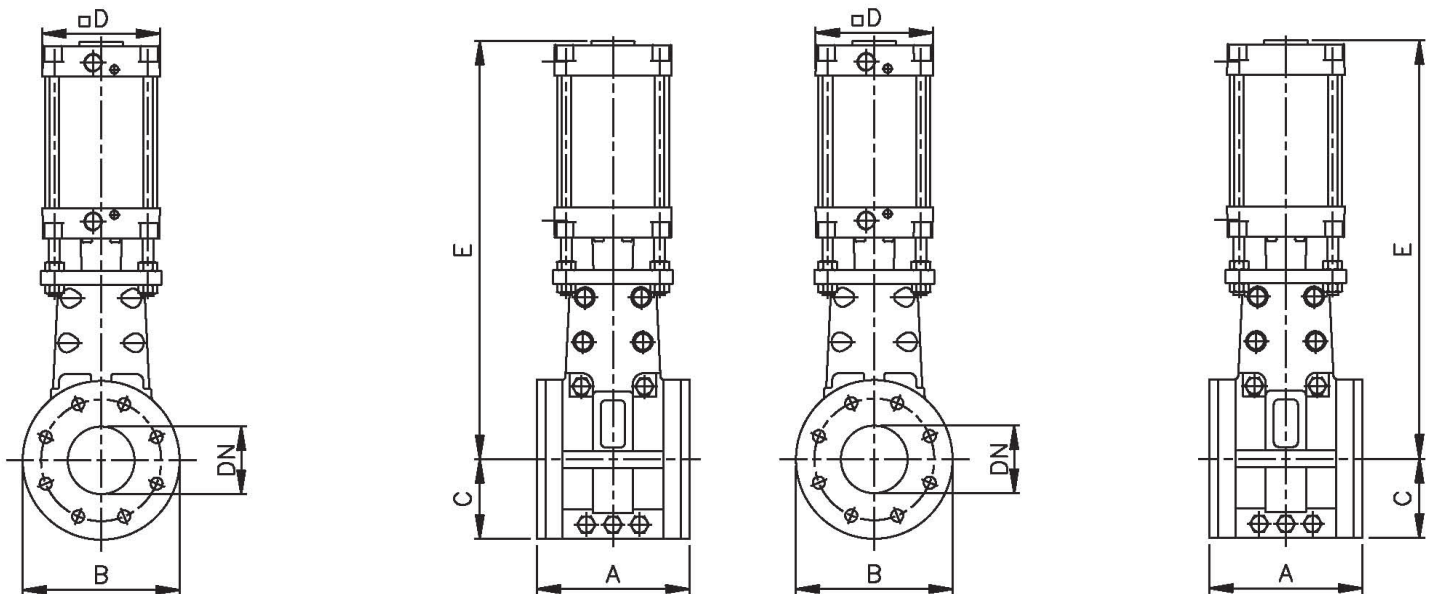


MAIN DIMENSIONS OF PVEG VALVES

MANUAL



AUTOMATIC



Valve size (PVEG) M&A	A	B	C	D		E		Weight (lbs)		Max Pressure (PSI)	
				M	A	M	A	M	A	M	A
2	7	6.5	3.2	6.9	4.6	9.0	17.1	14	25	150	75
3	8	8.2	4.1	7.9	5.4	11.4	21.5	18	40	150	75
4	9	9.3	4.6	8.9	6.9	12.6	24.8	25	55	150	75
6	16	11	5.5	15.7	10.6	17.7	33.0	64	163	150	75

Bigger sizes and higher pressures on request. All dimensions in inches.

Information without engagement. All rights to changes without prior notice reserved.



Flowrox Oy
P.O. Box 338
FI-53101 Lappeenranta
Finland
Tel. +358 201 113 311

Flowrox Inc.
808 Barkwood Ct. Suite N.
Linthicum, MD 21090
The United States
Tel. +410-636-2250

www.flowrox.com
sales-us@flowrox.com

