

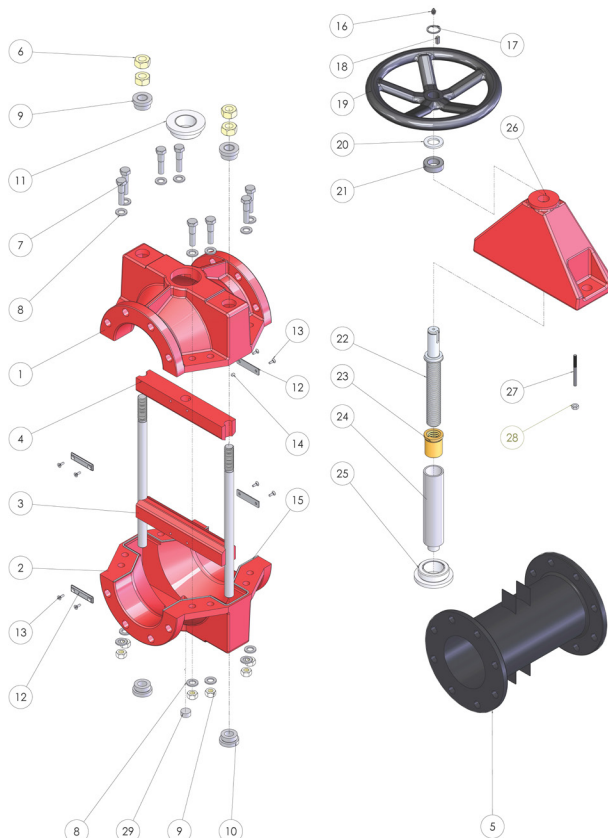


PVE Enclosed Body Valves

For Demanding Duties

EXPLODED VIEW OF PVE VALVE WITH MANUAL ACTUATOR

Part	Description	Part	Description	Part	Description
1	Upper body half	11	Center guide bushing	20	Thrust washer
2	Lower body half	12	Fixing plate for opening tags	21	Thrust bearing
3	Lower pinch bar	13	Allen screw countersunk	22	Stem
4	Upper pinch bar	14	Locking screw	23	Nut bushing
5	Sleeve	15	Seal strip	24	Pipe bushing
6	Hex nut	16	Grease nipple	25	Guide bushing
7	Hex screw	17	Retaining ring	26	Attachment frame
8	Washer	18	Key	27	Indicator pin
9	Side guide bushing, upper	19	Hand wheel	28	Hex nut
10	Side guide bushing, lower			29	Bottom plug



TECHNICAL DATA

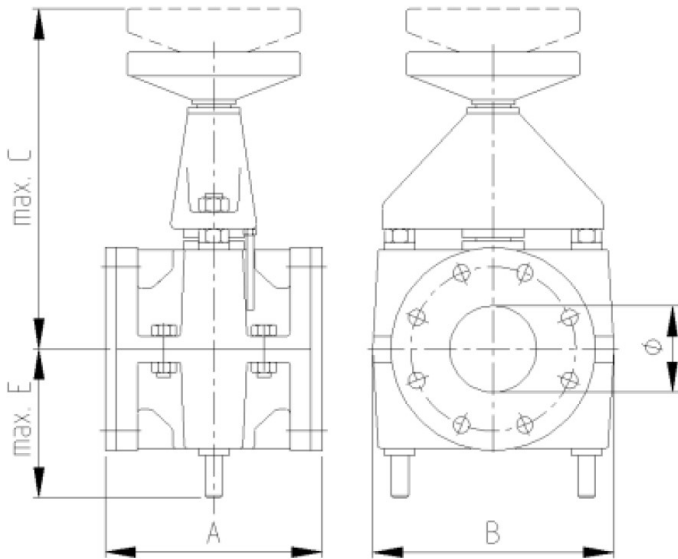
- For heavy duty applications
- Body materials: Fe & AISI316
- Sizes beginning from 1 inch
- Pressure class up to 1,450 psi



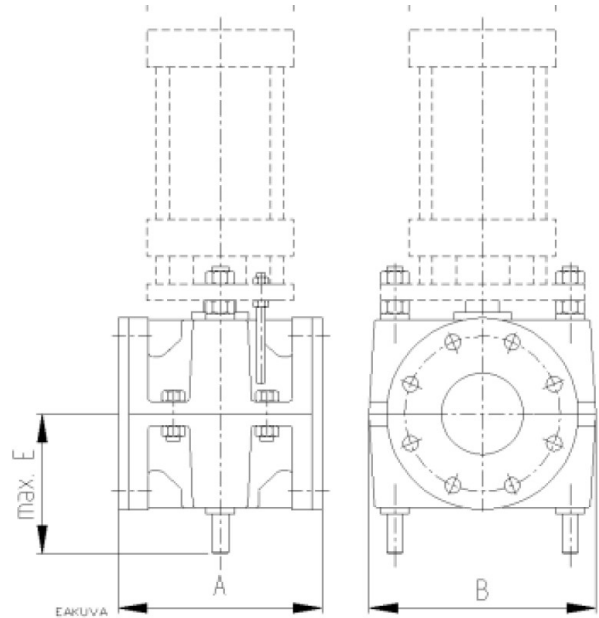


MAIN DIMENSIONS OF PVE ENCLOSED BODY VALVES

MANUAL



AUTOMATIC



Valve size (PVE) M&A	PN (PSI)	A	B	C	E	Weight Manual Valves (lbs)		Weight Automatic valves (lbs)	
						FE	AL	FE	AL
1	15-365	6.5	5.0	10.1	3.4	25	16	18	9
1.25	15-365	6.5	5.5	10.2	3.5	31	20	22	11
1.5	15-365	6.5	7.1	10.4	4.1	36	20	27	14
2	15-365	6.5	7.5	11	4.7	40	20	29	16
2.5	15-365	6.5	8.3	12.2	5.4	49	27	38	20
3	15-365	8	9.6	14.6	6.1	80	38	60	29
4	15-365	10	10.9	16.1	6.9	102	55	73	38
5	15-365	12.2	13.4	18.3	8.3	163	91	106	55
6	15-240	14.8	15.7	22	9.4	234	163	166	95
8	15-150	19.7	18.9	27.2	11.6	351	-	263	-
10	15-75	24.6	22.4	34.1	15	470	-	355	-
12	15	29.5	28.3	40.2	17.5	615	-	468	-

Bigger sizes and higher pressures on request. All dimensions in inches.

Information without engagement. All rights to changes without prior notice reserved.



Neles Finland Oy
P.O. Box 26
FI-53101 Lappeenranta, Finland
Tel. +358 (0)01 417 5000

Neles USA Inc.
808 Barkwood Court, Suite N
Linthicum, MD 21090, USA
Tel. +1-410-636-2250

www.flowrox.com
sales-us@flowrox.com

