

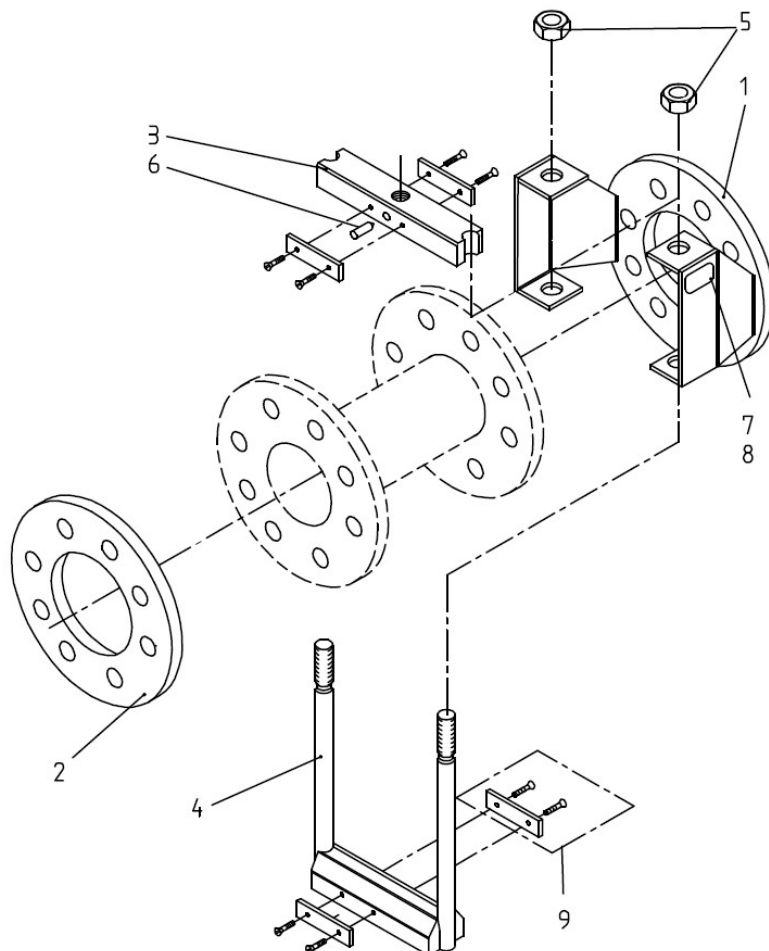


PV Open Body Valves

For Demanding Duties

EXPLODED VIEW OF PV VALVE

Part	Description	Part	Description
1	Valve body	6	Locking screw
2	Flange	7	Valve plate
3	Upper pinch bar	8	Drive rivet
4	Lower pinch bar	9	Fix parts for opening tags
5	Hex. nut		



TECHNICAL DATA

- For non-hazardous mediums
- Body materials:
Fe & AISI316
- Sizes beginning from
3 inch
- Pressure class up to
365 PSI

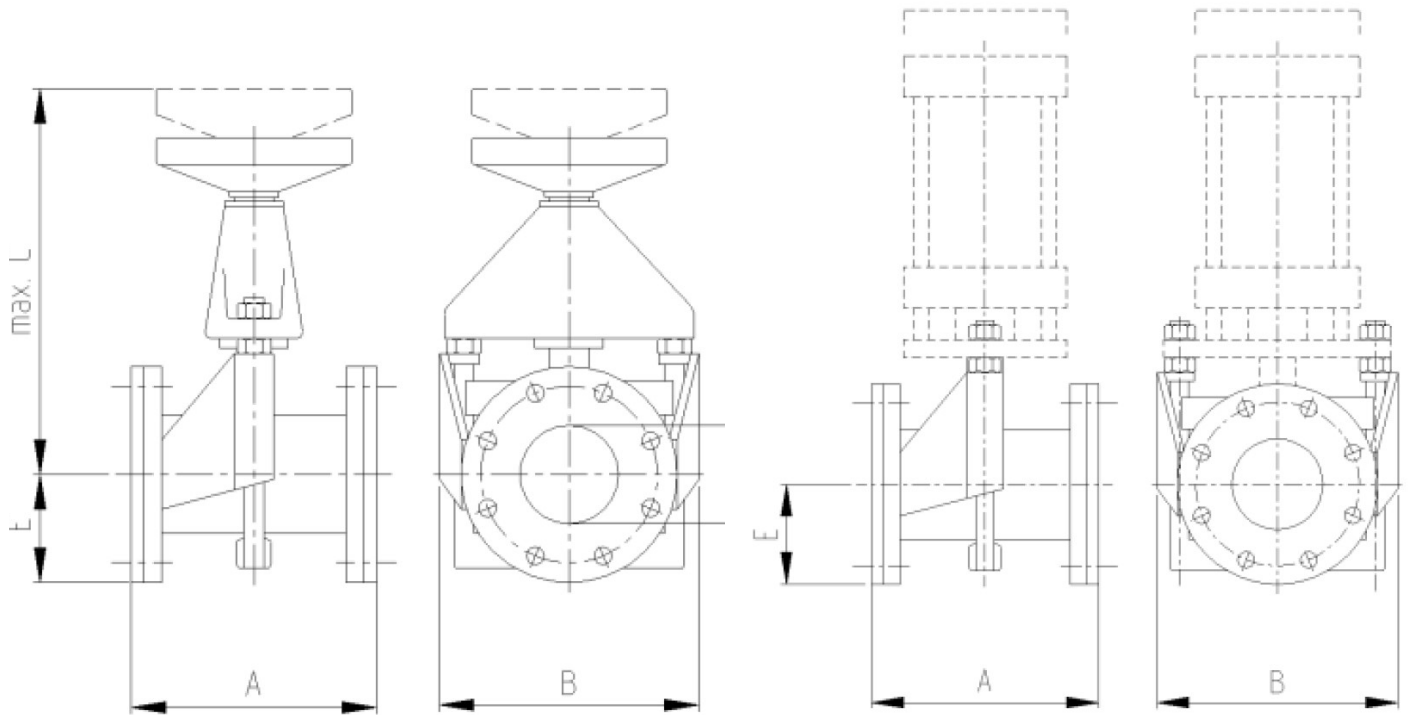




MAIN DIMENSIONS OF PV OPEN BODY VALVES

MANUAL

AUTOMATIC



Valve size (PV) M&A	PN (PSI)	A	B	C	E	Weight Manual Valves (lb)	Weight Automatic Valves (lb)
3	15-365	7,9	9.3	14.6	3.9	49	31
4	15-365	9.8	10.4	16.1	4.3	64	36
5	15-365	12,2	12.8	18.3	5.3	102	51
6	15-240	14,8	15.0	22.0	5.6	148	80
8	15-240	19,7	18.1	27.2	6.7	194	104
10	15-145	24,6	21.5	34.1	8.3	302	188
12	15-75	29,5	27.7	40.2	9.8	368	221

Bigger sizes and higher pressures on request.

Information without engagement. All rights to changes without prior notice reserved.



Flowrox Oy
P.O. Box 338
FI-53101 Lappeenranta
Finland
Tel. +358 201 113 311

Flowrox Inc.
808 Barkwood Ct. Suite N.
Linthicum, MD 21090
The United States
Tel. +410-636-2250

www.flowrox.com
sales-us@flowrox.com

