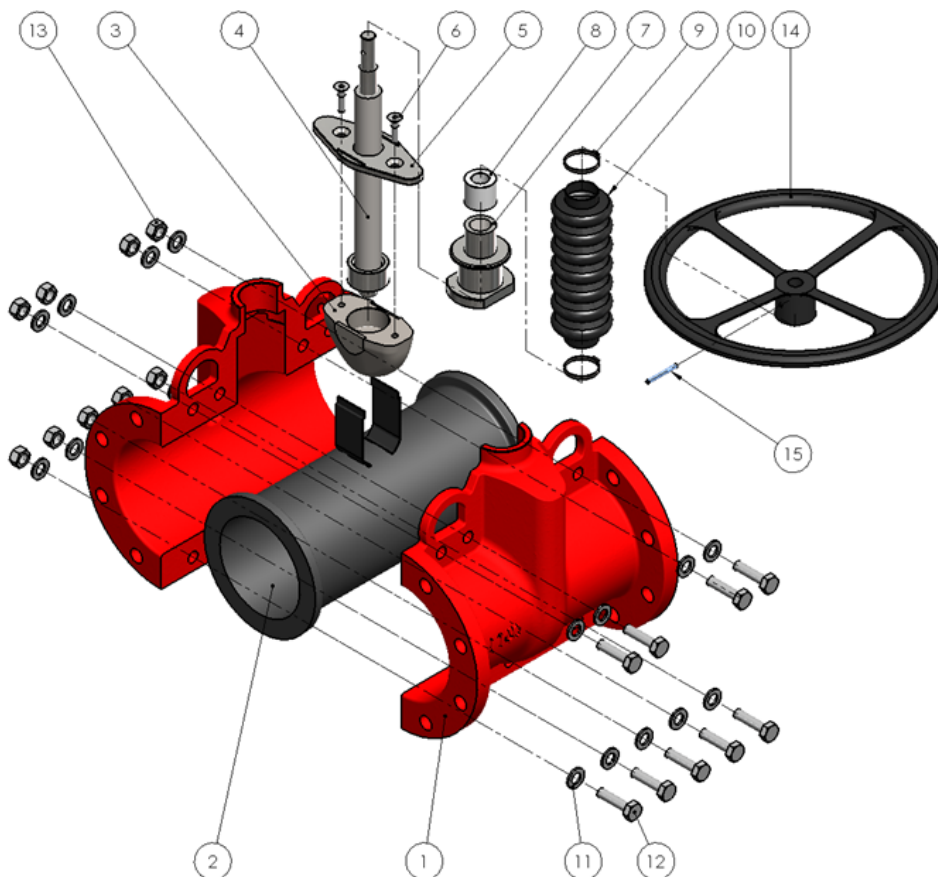




PVG General Line Pinch Valves

EXPLODED VIEW OF PVG VALVE WITH MANUAL ACTUATOR

Part	Description	Part	Description
1	Valve body	9	Cable tie
2	Sleeve	10	Bellows
3	Pusher	11	Washer
4	Stem	12	Hex screw
5	Pusher plate	13	Nut
6	Hex socket screw	14	Hand wheel
7	Thread bushing	15	Slotted spring pin
8	Bellows bushing		



TECHNICAL DATA

Actuators

- Manual
- Pneumatic
- Electric

Sizes: 2 - 10 inch

Pressure class up to 150 psi

Max. temperature 212 °F

Only the sleeve is in contact with the medium



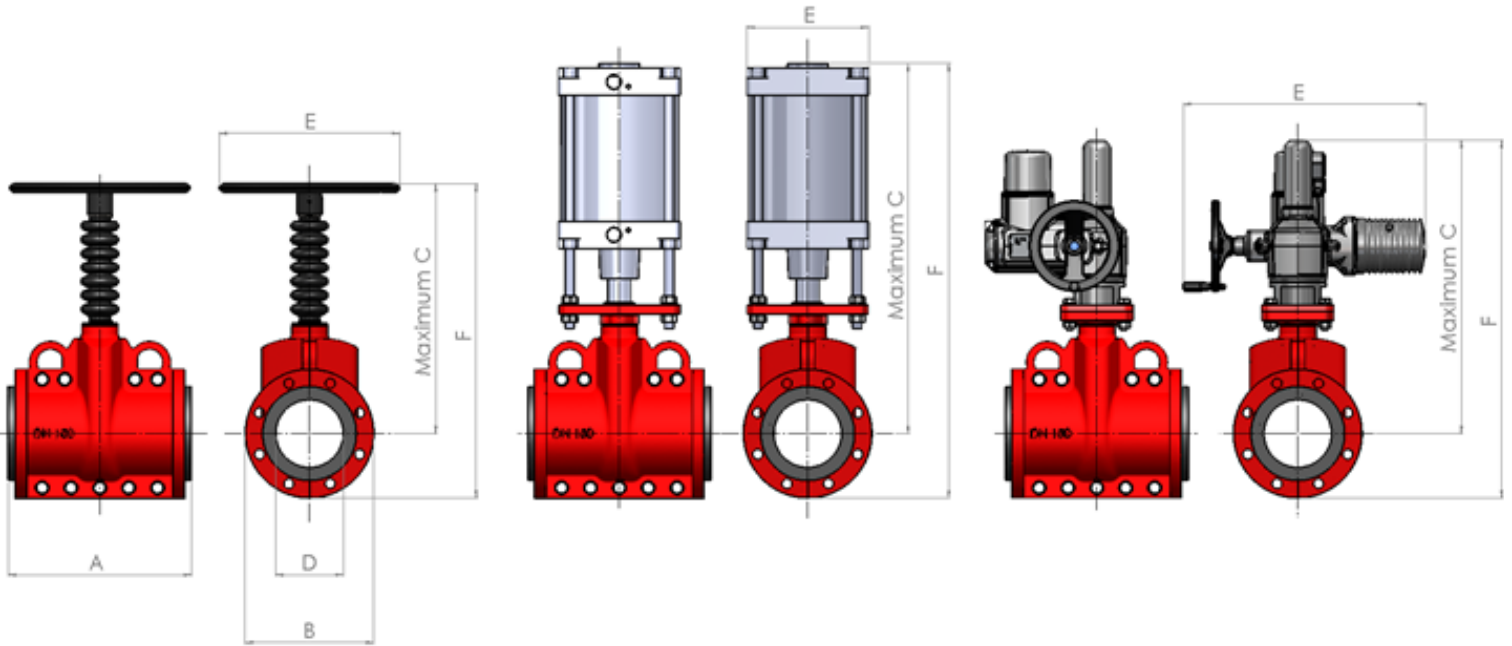


MAIN DIMENSIONS OF PVG VALVES

MANUAL (M)

PNEUMATIC (A)

ELECTRIC (E)



Valve size (inch)	A	B	C			D	E			F			Weight (lbs)			Max Pressure (PSI)		
			M	A	E		M	A	E	M	A	E	M	A	E	M	A	E
2	7.5	6.5	11.0	15.7	18.7	2.0	5.9	4.3	20.3	14.3	18.9	21.9	31	40	99	150	75	150
3	10	7.9	13.5	19.0	19.9	3.1	7.9	5.3	20.3	17.5	22.9	23.8	46	66	117	150	75	150
4	12	9.0	15.5	22.4	20.7	3.9	9.8	6.9	20.3	20.2	26.9	25.2	66	95	132	150	75	150
6	16	11.2	21.7	30.5	25.6	5.9	15.7	10.6	21.1	27.4	36.1	31.2	108	108	216	150	75	150
8	20.5	13.5	25.4	34.3	27.4	7.9	23.6	10.6	21.1	32.2	41.1	34.2	212	311	317	75	58	75
10	25	16.0	30.9	55.6	29.5	9.8	23.6	10.6	21.1	38.9	63.6	37.5	309	474	414	75	58	75



Flowrox Oy
P.O. Box 338
FI-53101 Lappeenranta
Finland
Tel. +358 201 113 311

Flowrox Inc.
808 Barkwood Ct. Suite N.
Linthicum, MD 21090
The United States
Tel. +410-636-2250

www.flowrox.com
sales-us@flowrox.com

