



Flowrox Floating Aerator 3 kW

Flowrox Floating Aerators are CE marked products from Finland.

Technical data

Oxygen transfer efficiency	Up to 2,0 kgO ₂ /kWh*
Spray pattern diameter	Appr. 4,5 m
Motor	3-phase customized motor manufactured by Lönne or equal
Nominal power	3 kW
Efficiency class	IE2- / IE3
Insulation class	H
V/F	400V +- 5%, 50Hz
Electrical cable	4G2,5 European standard cable. <i>Note:</i> Length and local electrical control system may affect. When using AC-drive EMC-cable or shielded cable is required
Main dimensions	1200 mm x 1200 mm x 800 mm
Weight of aerator with floats	Appr. 110 kg
Materials	<ul style="list-style-type: none"> • AISI 316 (shaft and other metal parts) • Impeller plastic • Float PE-plastic • Intake pipe** PE-Plastic

Optional features

- Frequency converter (AC-drive)
 - Protection class IP55
 - Automatic impeller cleaning cycle feature

Flowrox Digital Services & Flowrox Malibu™

Metal parts AISI 304

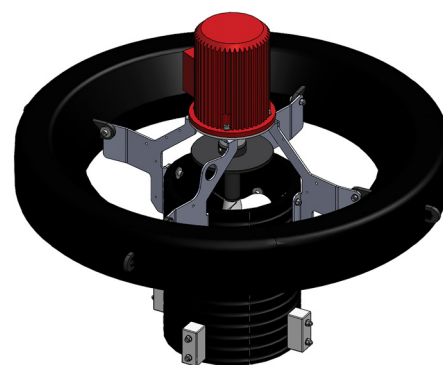
Intake pipe screen

Lifting hook

Return channel (to deep lakes)

Cooling fan

Lights



* Oxygen measurement accuracy $\pm 15\%$

** Customer must define the length of the intake pipe (the pipe should be 1,0 - 2,5 m above the bottom of the basin, depends on basins material).

Information without engagement. All rights to changes without prior notice reserved.



Flowrox Oy
 P.O. Box 338
 FI-53101 Lappeenranta, Finland
 Tel. +358 201 113 311

www.flowrox.com
 info@flowrox.com

