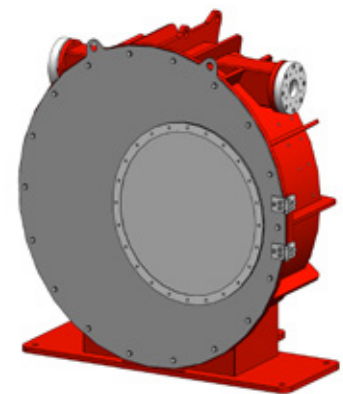
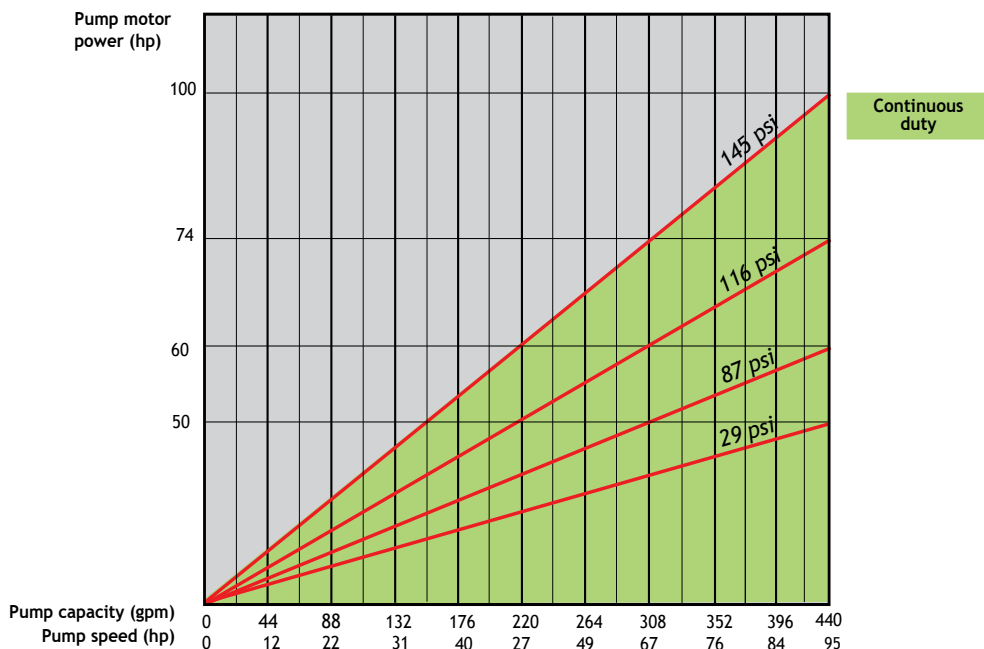




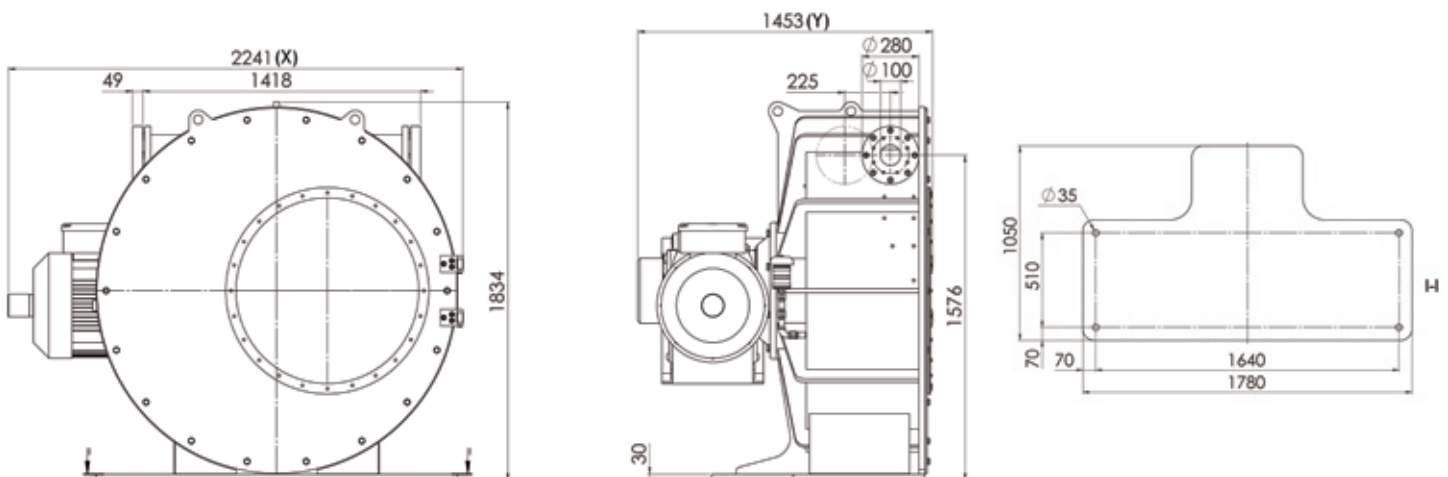
LPP-T4 Hose Pump

FLOW WITH MAXIMUM PRESSURE

LPP-T4 CAPACITY CHART, CONTINUOUS DUTY, UP TO 203 °F
(24 h/day/7 days per week)



- ### Technical Data
- Maximum low: 400 gpm
 - Maximum pressure: 145 psi
 - Flow/revolution: 8.3 gal
 - Hose bore: 4 in
 - Lubricant volume: 6 gal
 - Weight: ~9479 lb
 - Motor power: 49-100 hp



Dimensions (X, Y) vary according to the drive size.
Please consult Flowrox for the exact drive sizing to your application.

FLOWROX PUMP MODEL NUMBERING

Model	Size (IN)	Drive	Pressure Class (PN)	Connection	Body Material	Drive Control	Auxiliaries
LPP-T= Industrial hose pump	1 1.5 2 2.5 3 4 (In)	GM = geared motor GU = gear unit BS = bare shaft pump	145 = 145 PSI 108-108 PSI (DN80)	1 = - 2 = flanged DIN PN10 3 = flanged DIN PN16 6 = flanged ANSI 150 8 = flanged B.S. TABLE D 9 = other	0 = FE	II = Integrat- ed inverter (IP66) I = Inverter (IP20) N = None WC = Control unit	T = pressure transmitter with display R = Revolution detector D = Hose leak detector H = Connector hoses K = Connector flange for pressure transmitter F = Forced cooling

Example: Pump LPP-T1.5, geared motor, 145psi, flanges DIN PN10, with integrated inverter, pressure transmitter with display, hose leak detector

Type marking: LPP-T1.5GM 10-2-0-II-TD

FLOWROX PUMP HOSE MODEL NUMBERING

Hose Type	Hose Material	Pressure Class (PN)	Hose Inner Diameter (in)
LPP-T = LPP-T pump hose	EPDM = Ethylene propylene NR = Natural rubber NBR = Nitrile NBRF = Nitrile (FDA)	145 = 145 psi 108 = 108 (DN80)	1 1.5 2 2.5 3 4

Example: LPP-T hose, natural rubber, pressure class 145 psi, hose bore diameter 1.4 in

Type marking: LPP-T1.5-NR145

Information without engagement. All rights to changes without prior notice reserved.



Neles Finland Oy
P.O.Box 26
FI-53101 Lappeenranta, Finland
Tel. +358 (0)10 417 5000

Neles USA Inc.
808 Barkwood Court, Suite N
Linthicum, MD 21090, USA
Tel. +1-410-636 2250

www.flowrox.com
sales-us@flowrox.com

